

SINGER
45K58

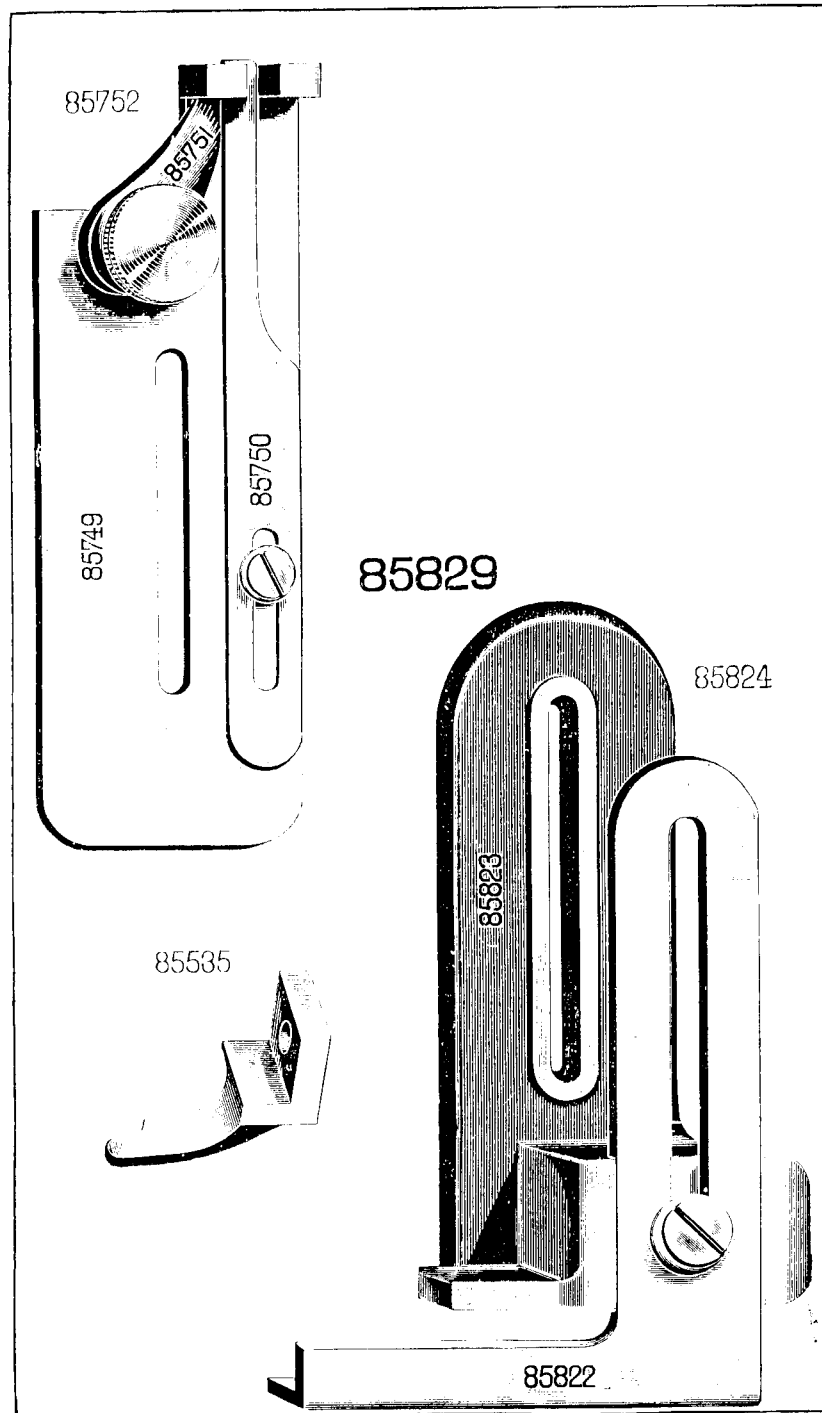
ILLUSTRATED
LIST OF PARTS

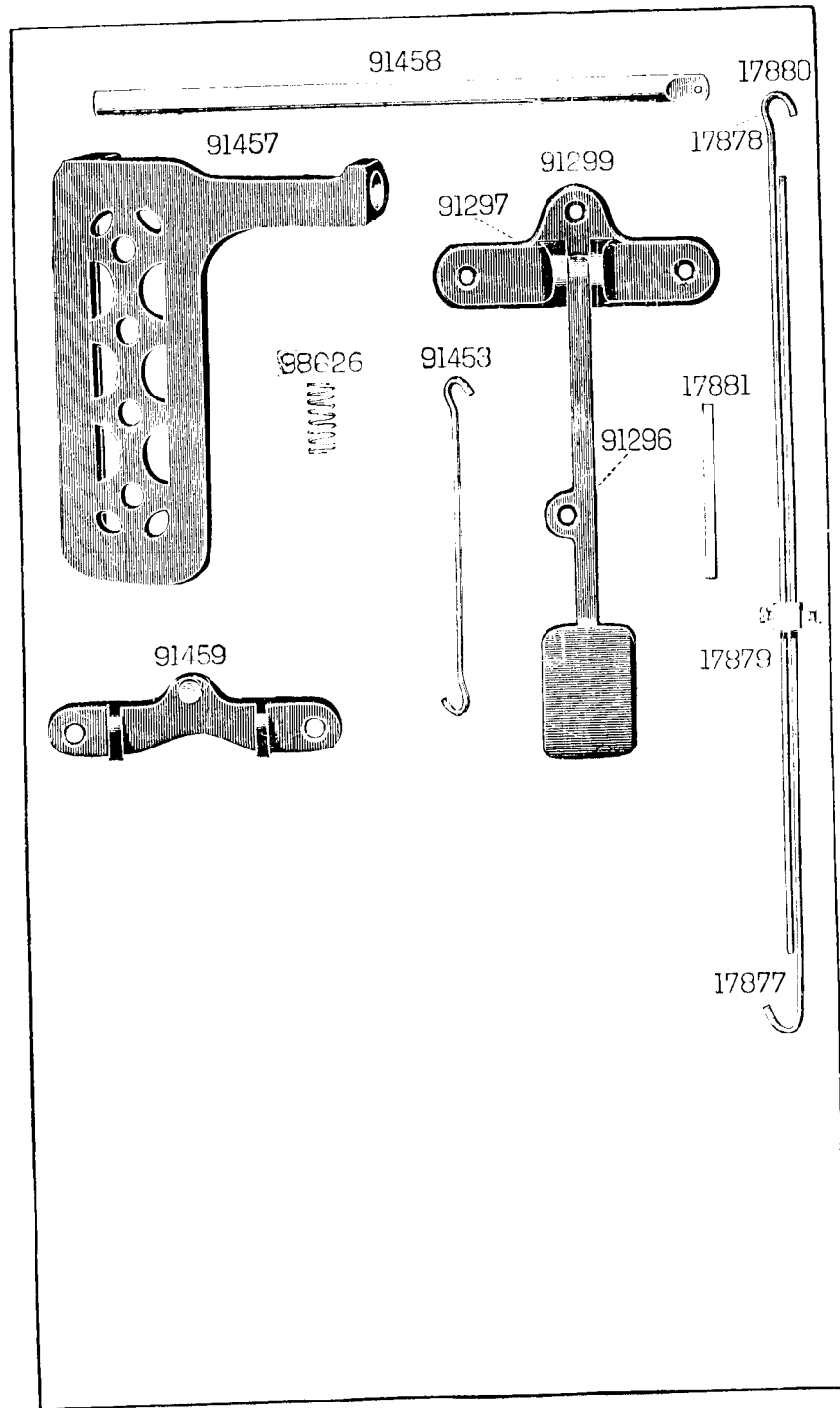
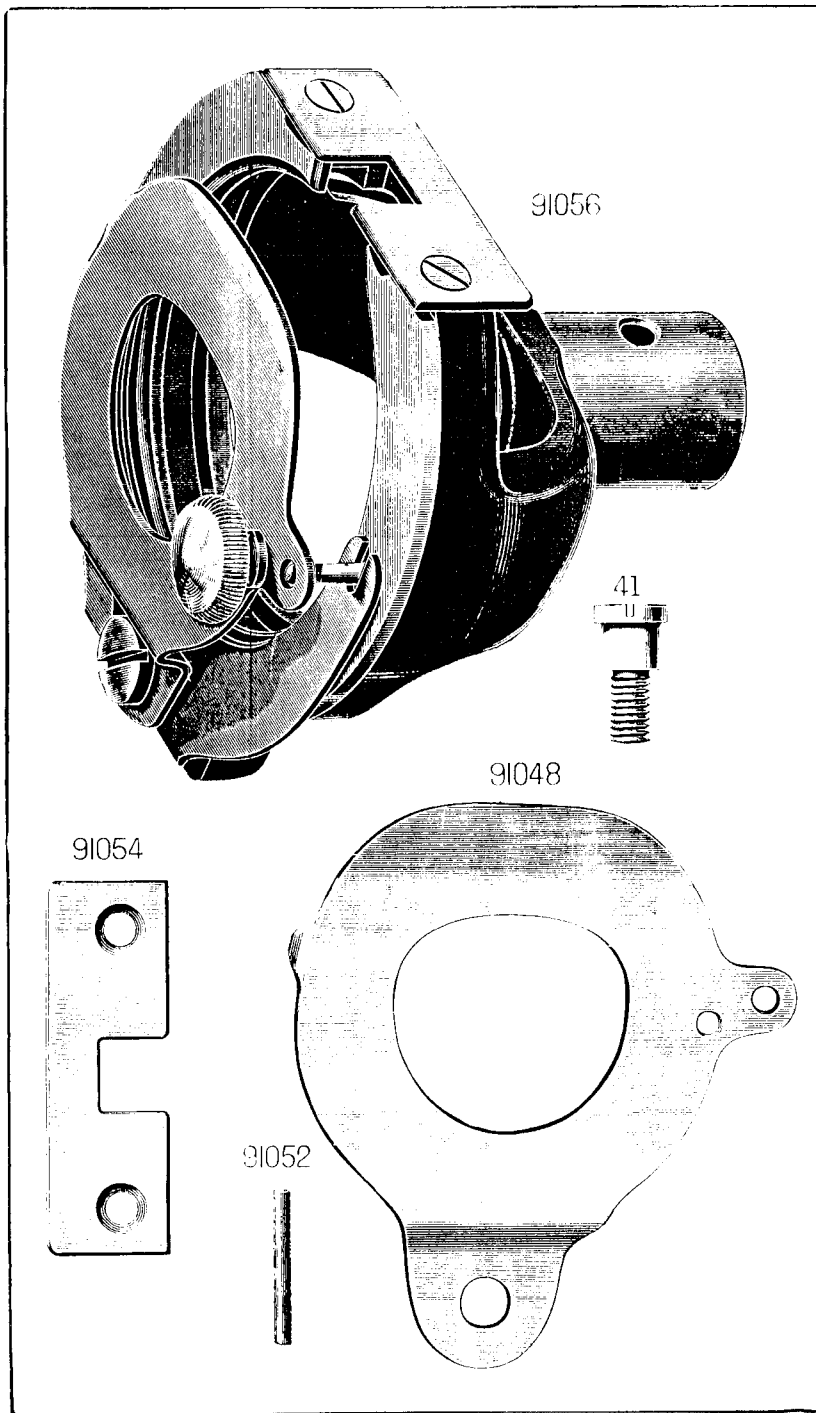
FOR

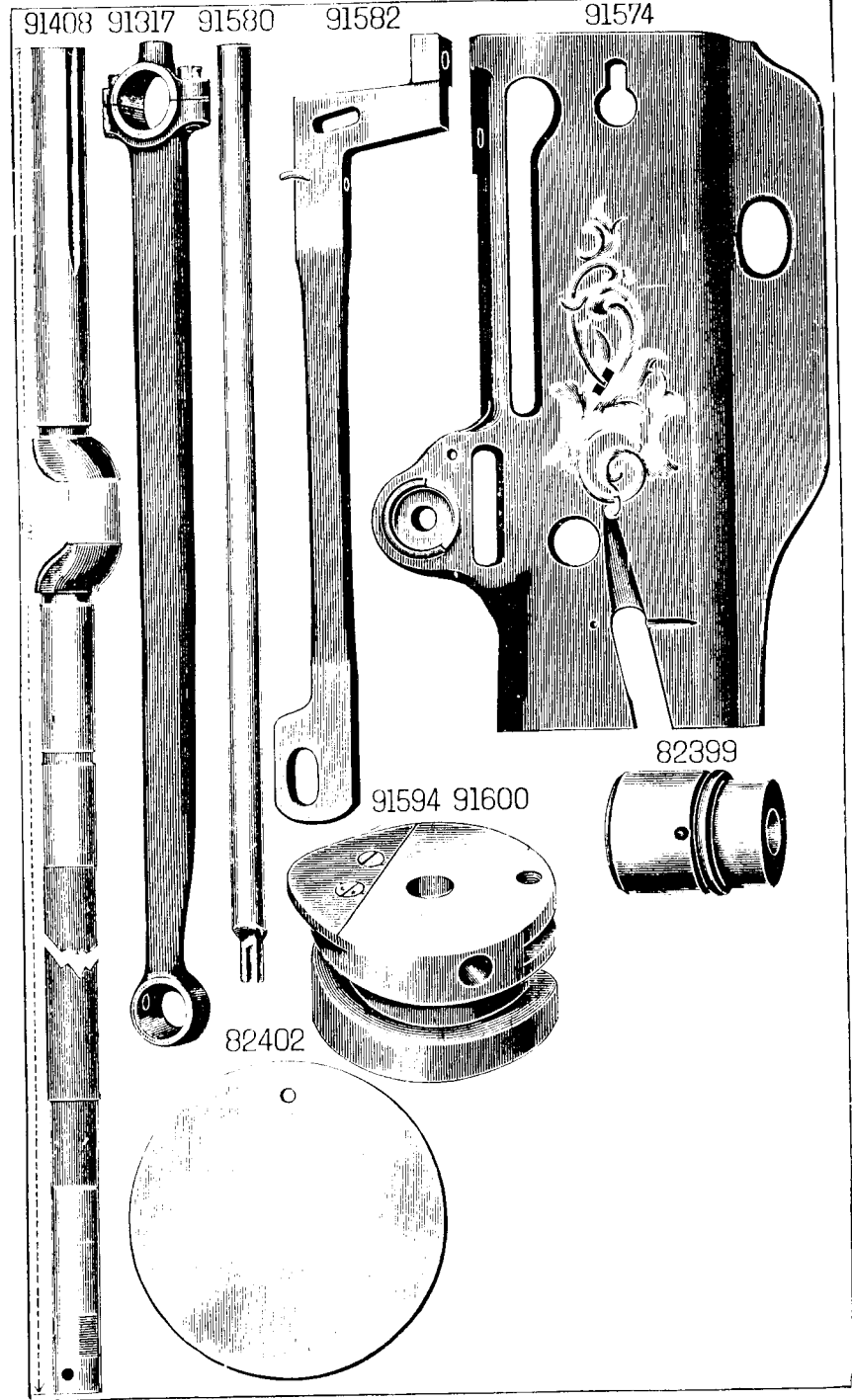
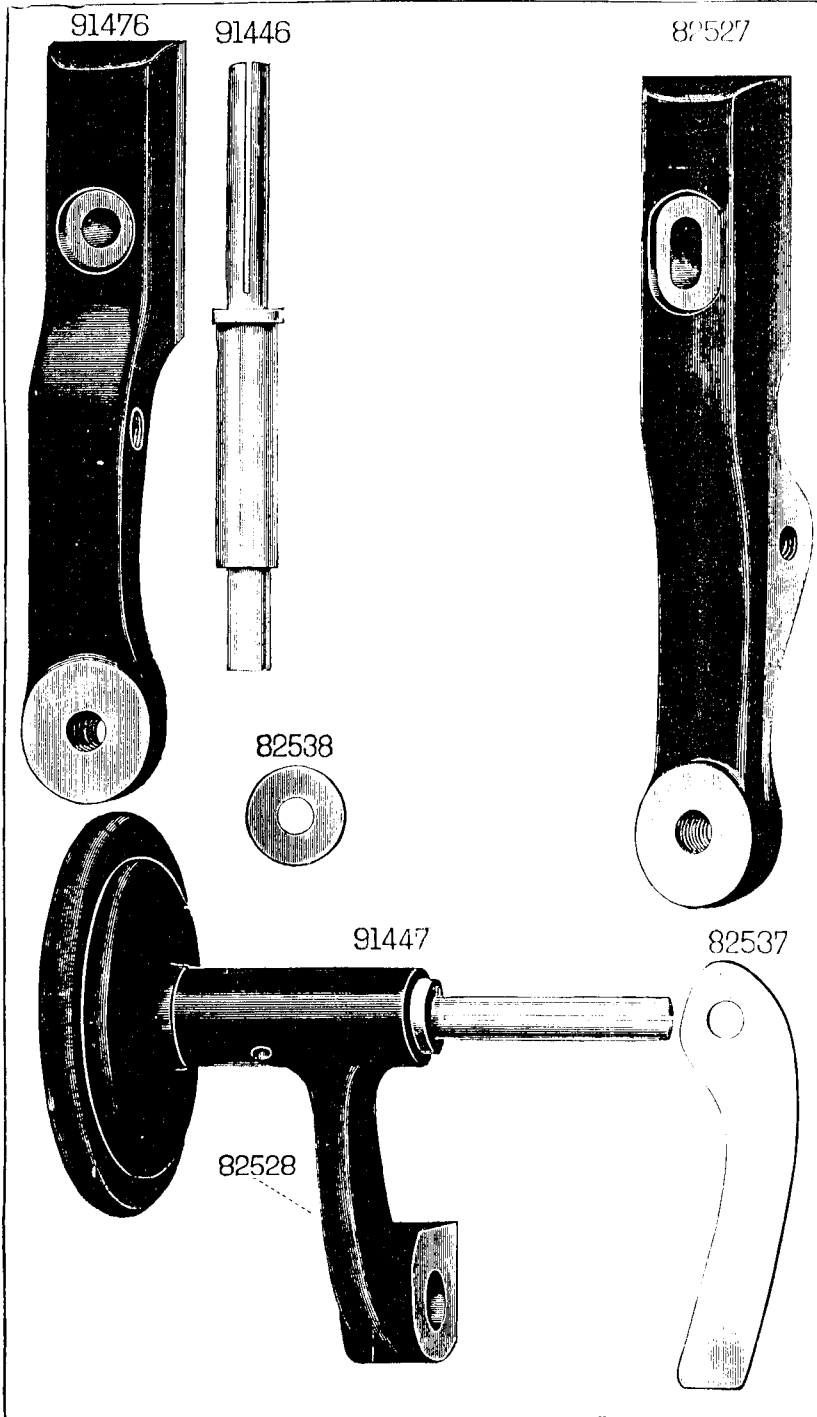
No. 45K58 Machine

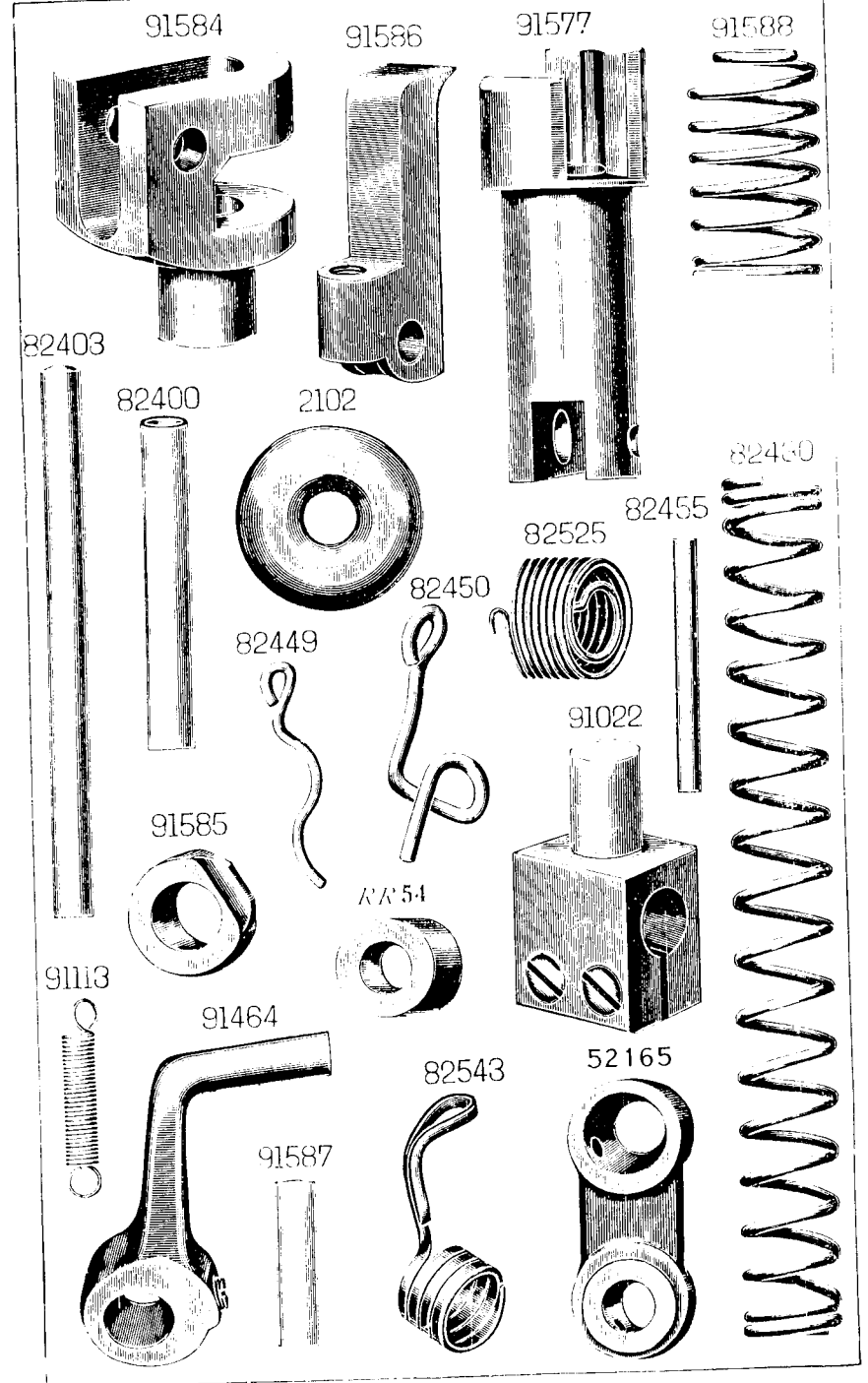
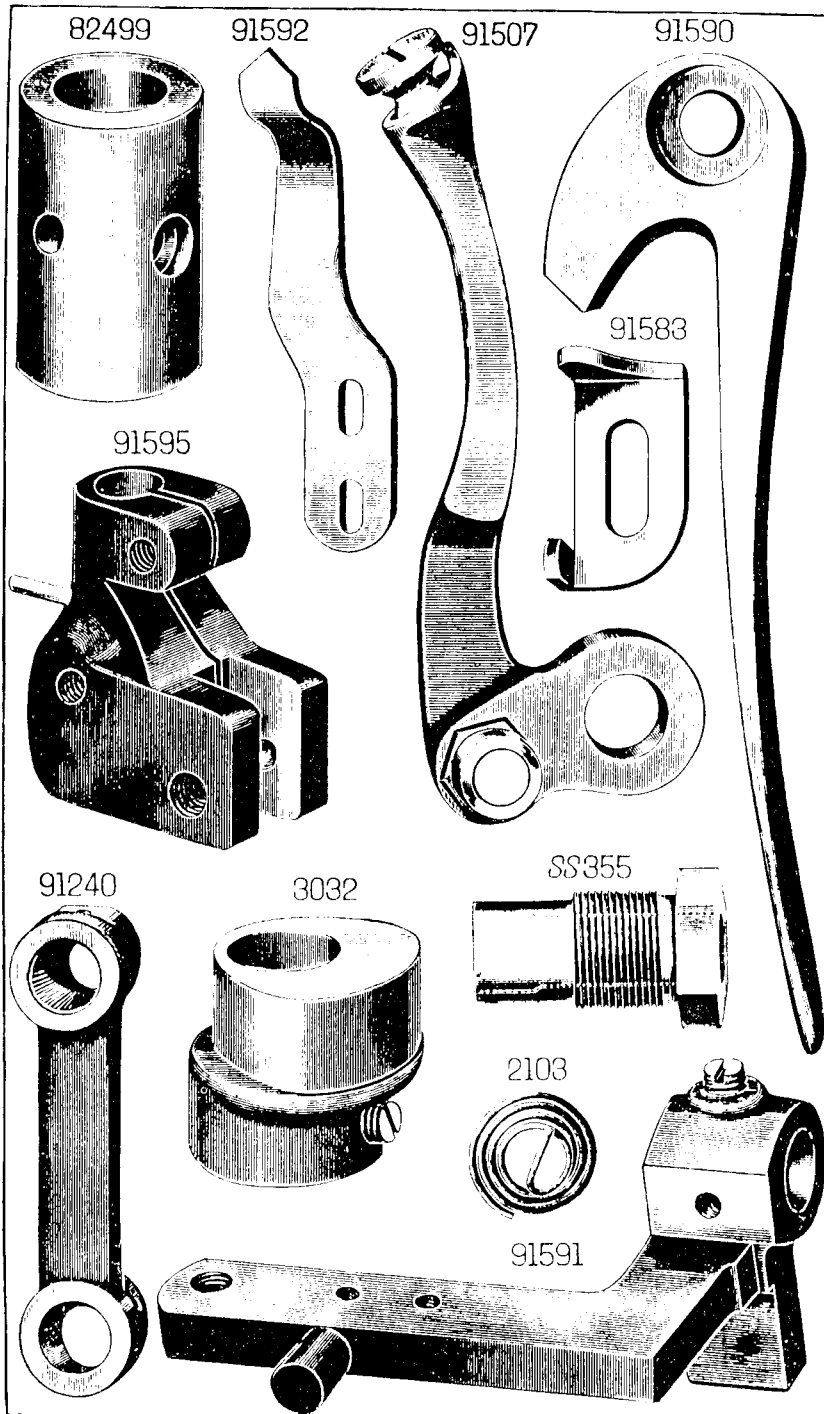


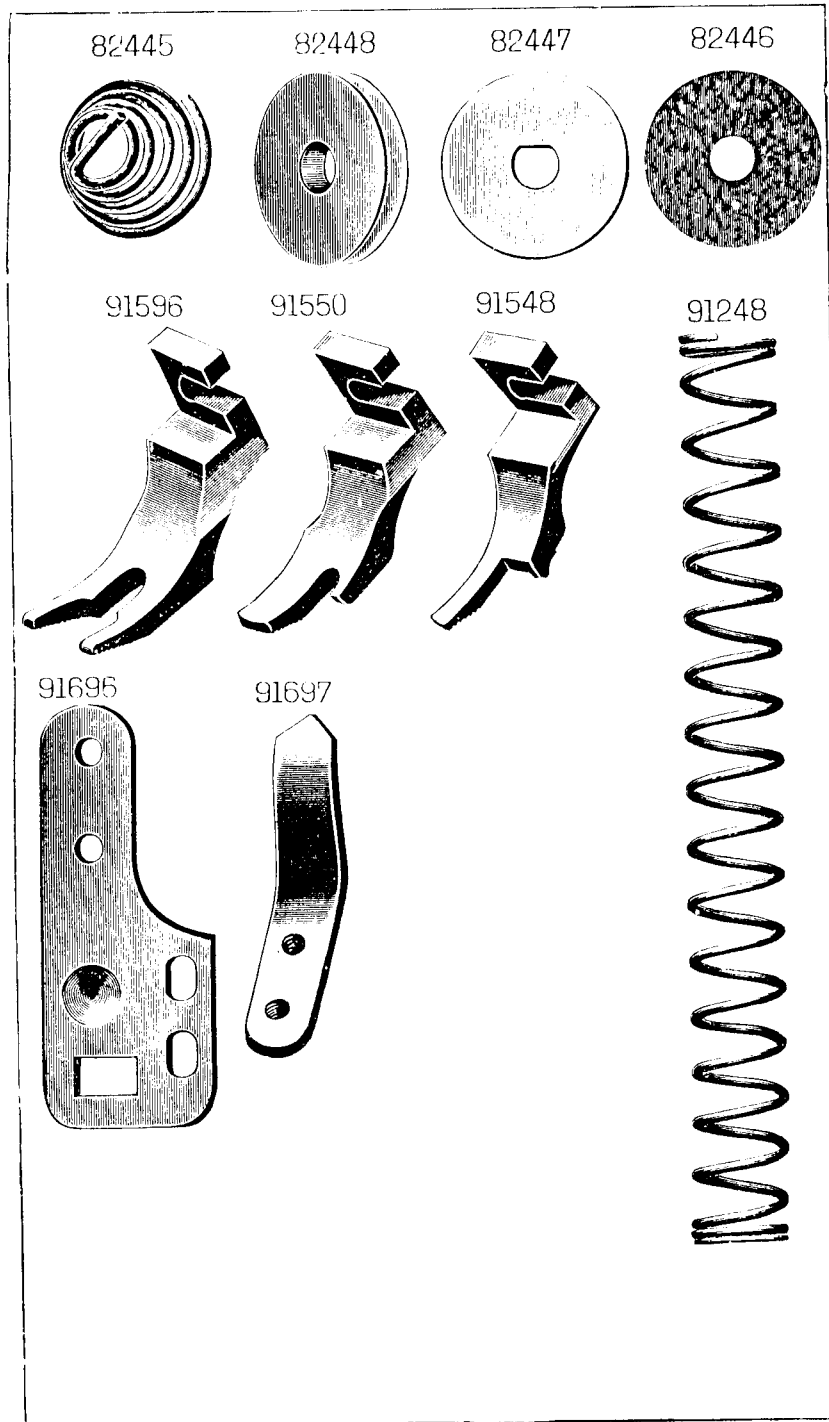
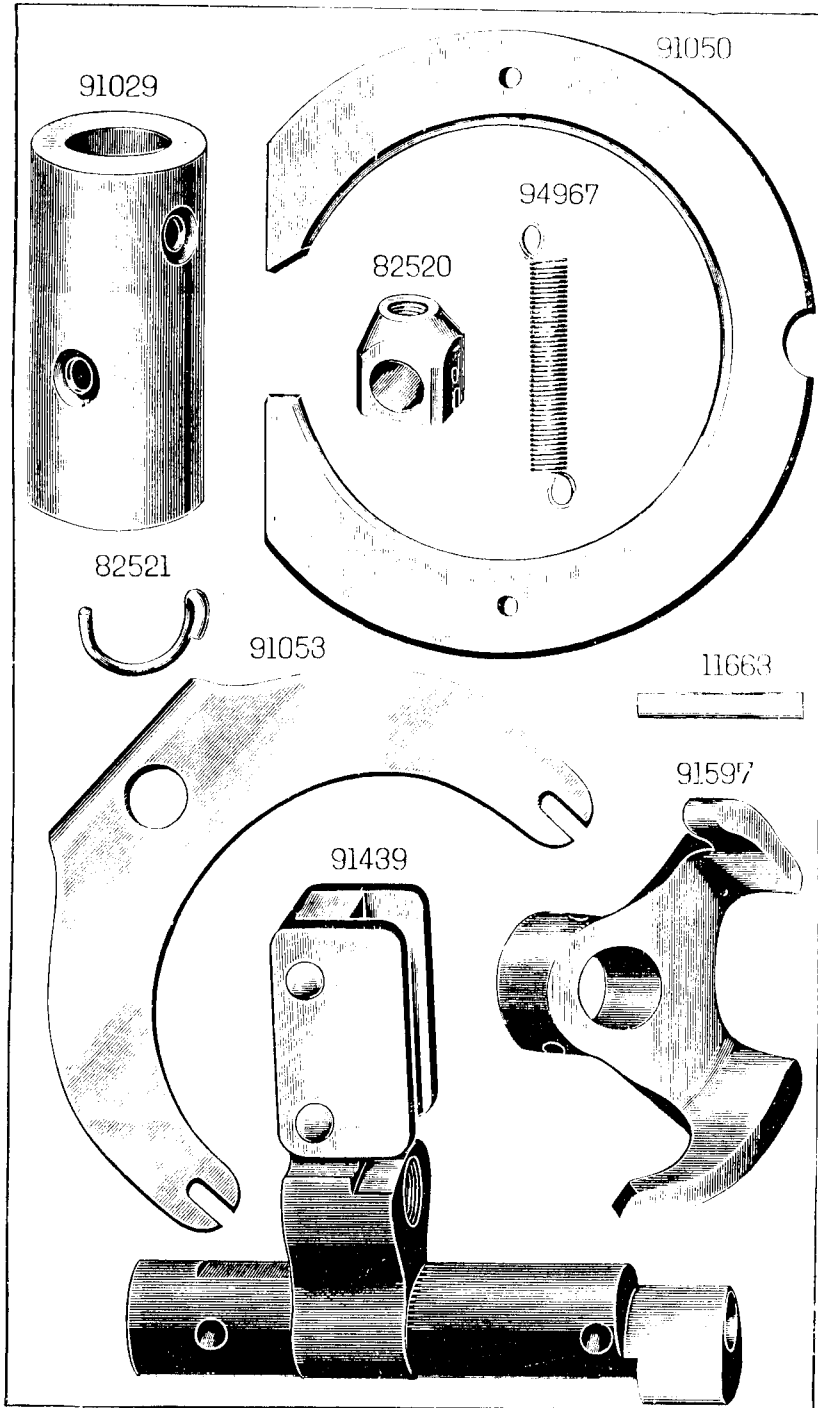
**A Trade Mark of
THE SINGER MANUFACTURING CO.







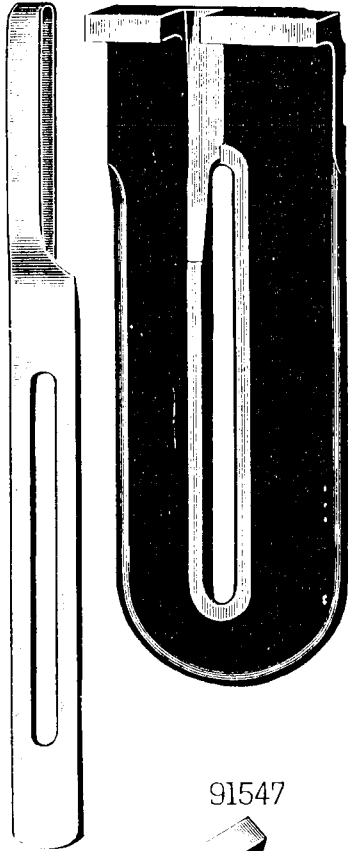




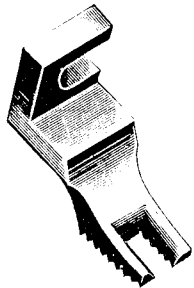
86288

86286

86287



91547

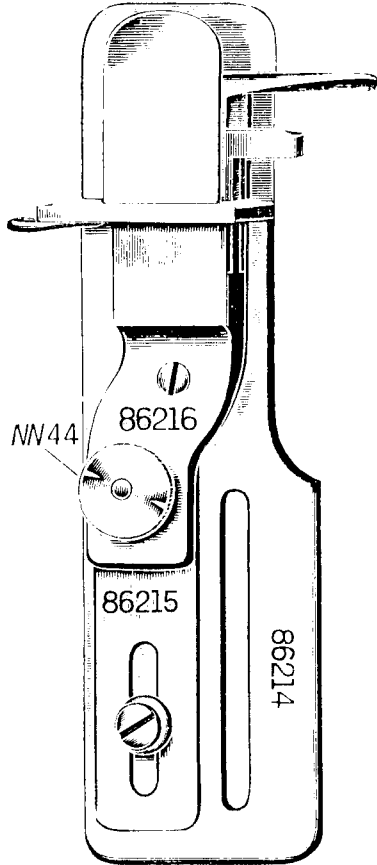


703



86285

86217



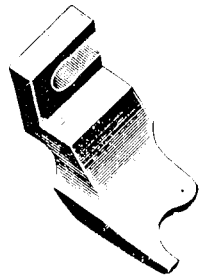
NW44

86216

86215

86214

86144

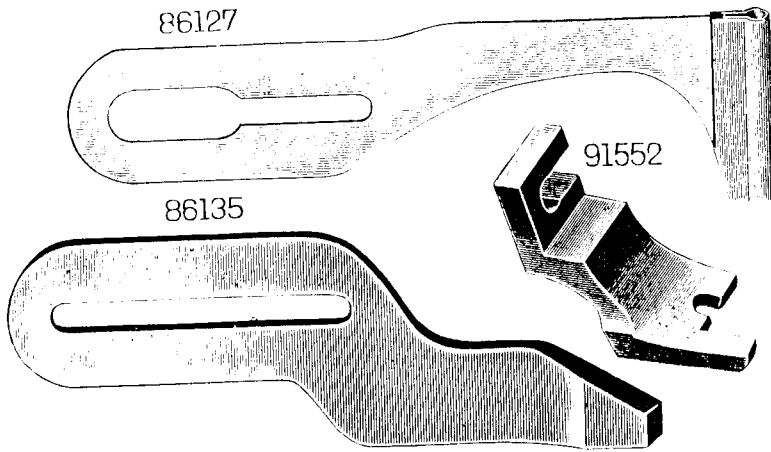


86289

86127

86135

91552



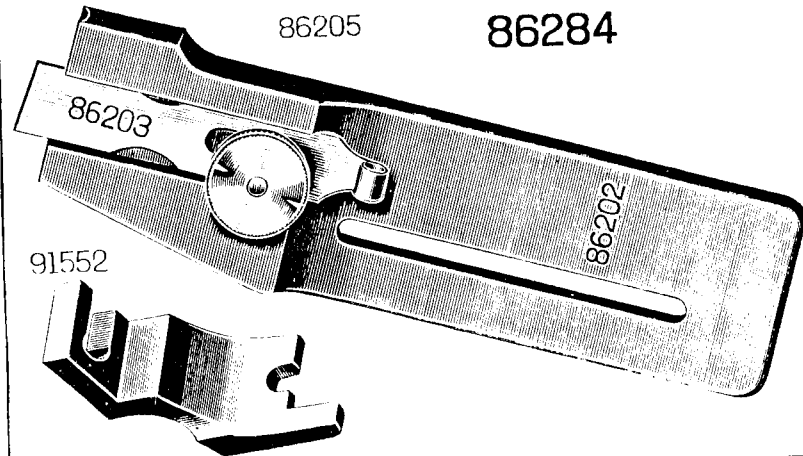
86205

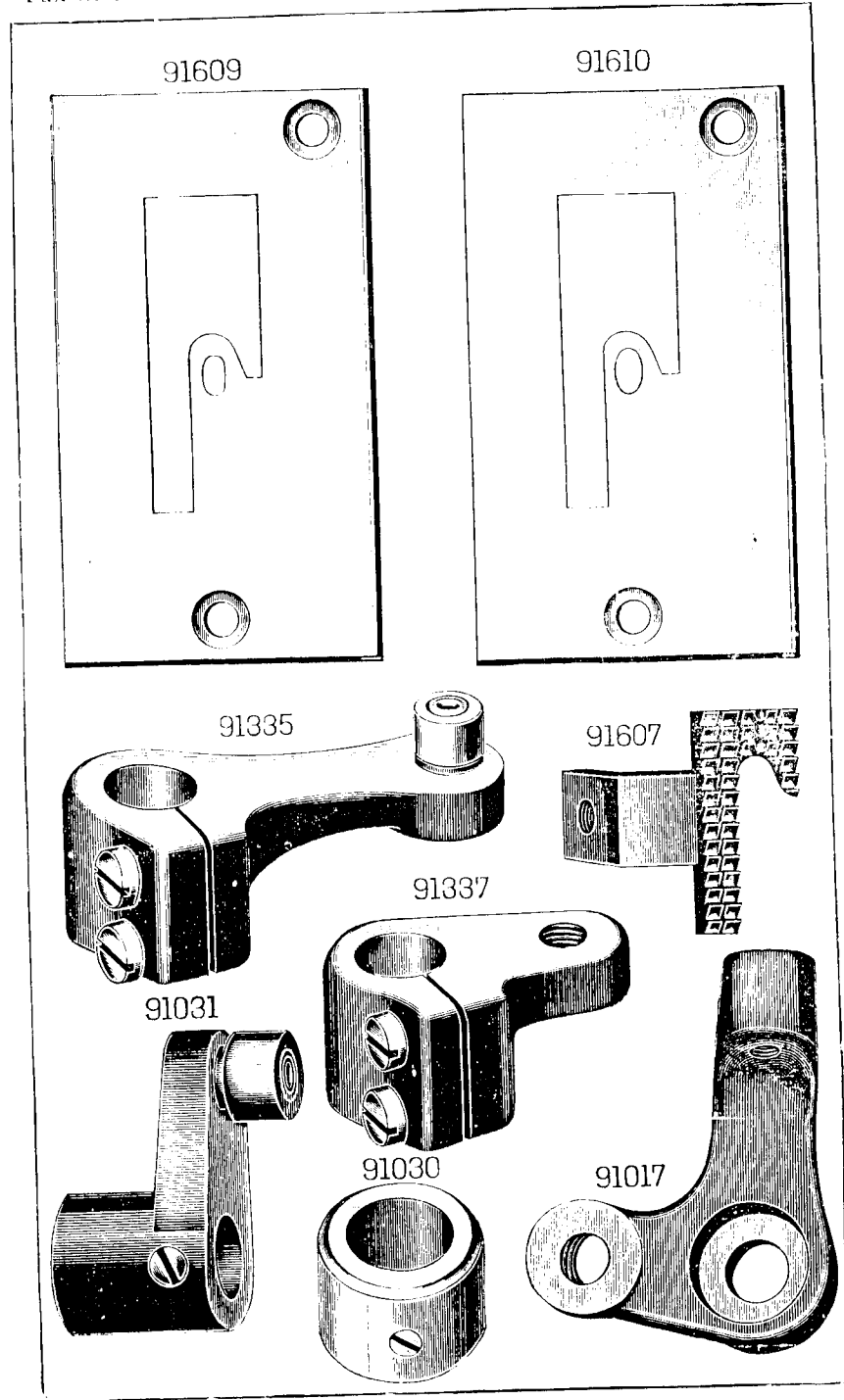
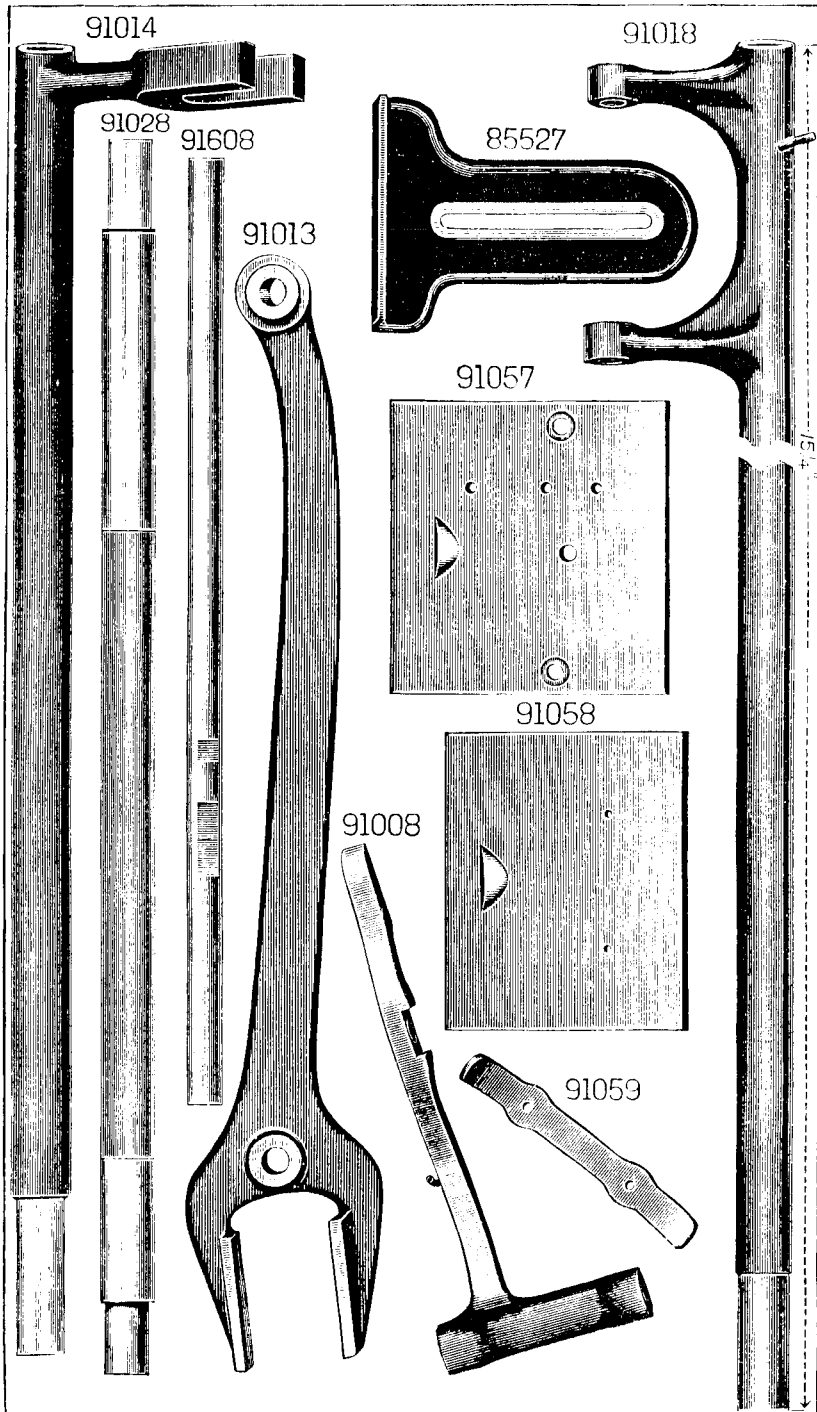
86284

86203

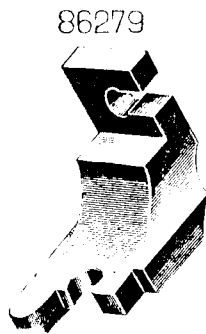
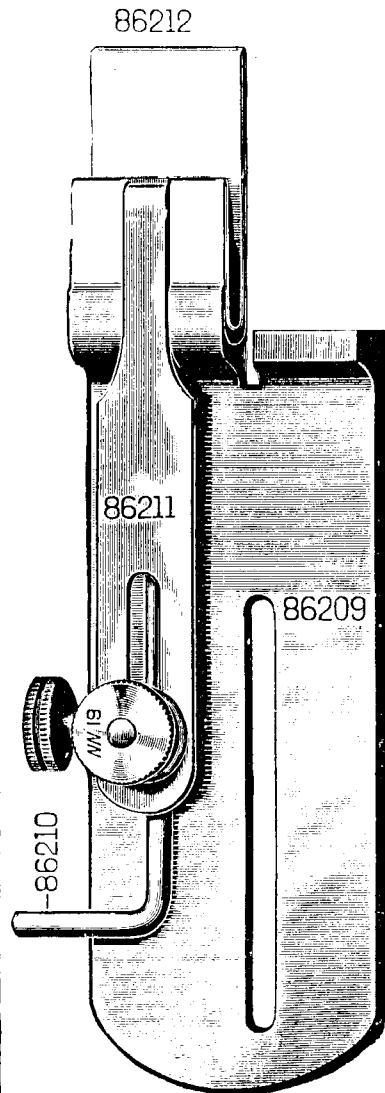
91552

86202





86290

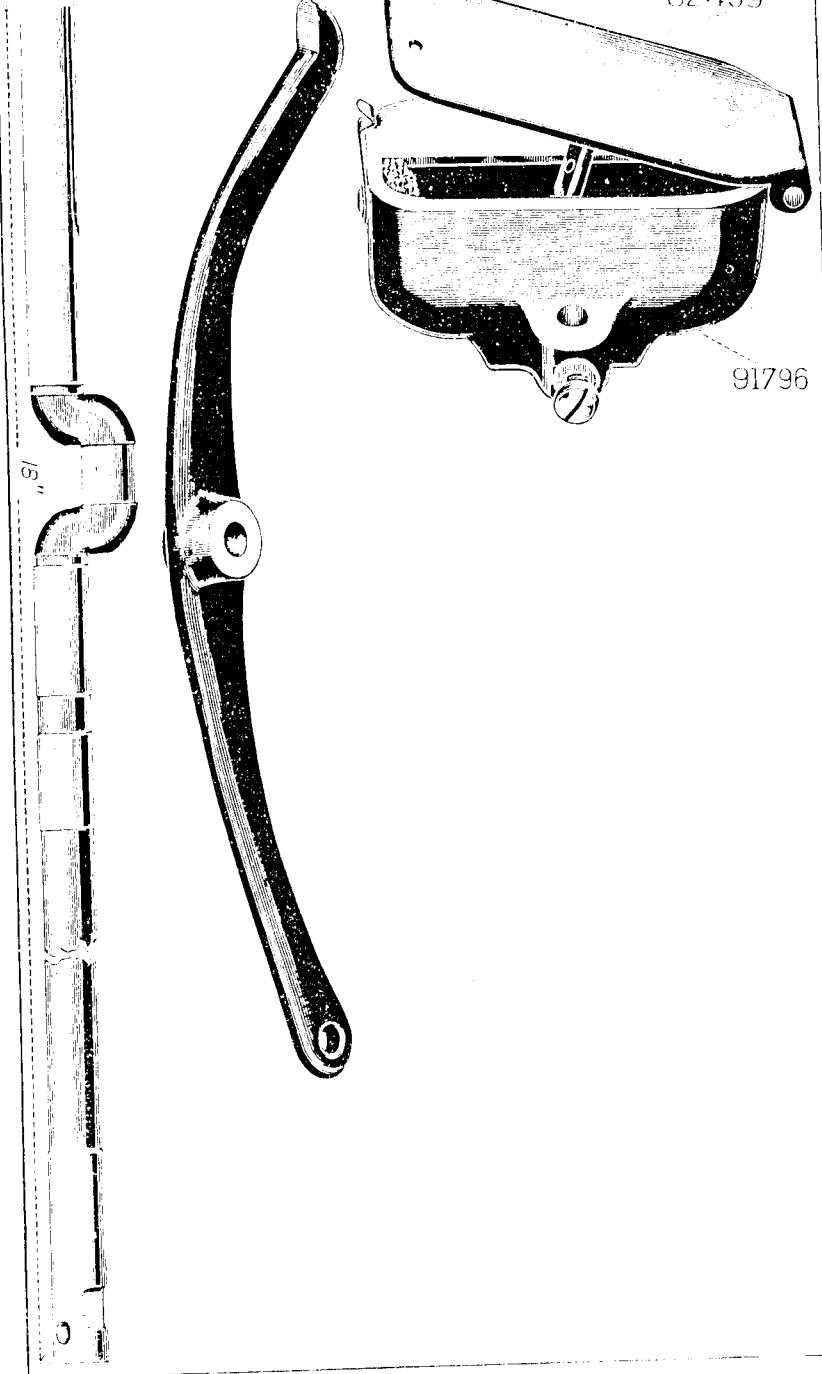


91615

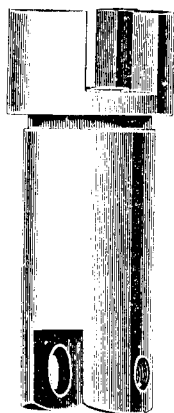
91716

91797

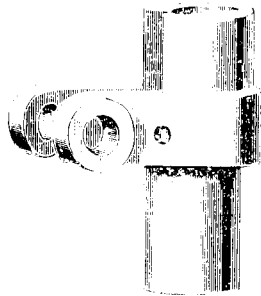
82459



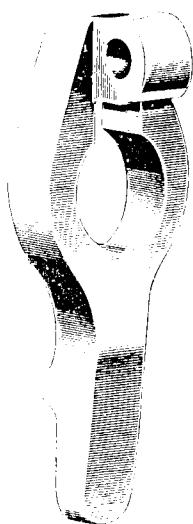
91739



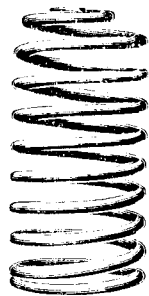
91742



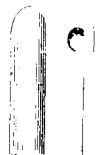
91745



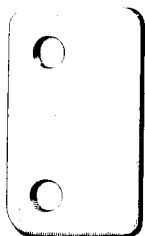
91746



91743



91025



8575



91026



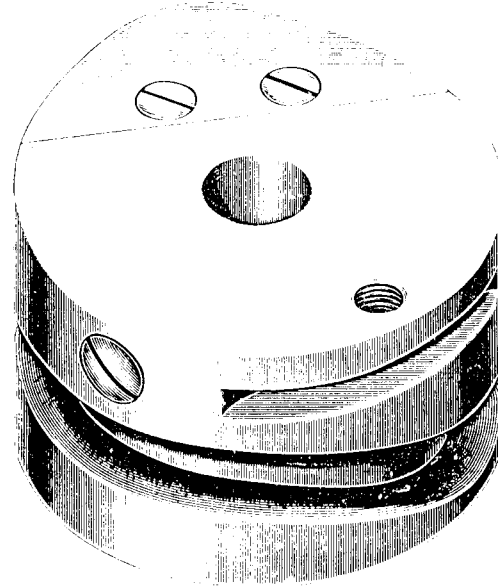
91112



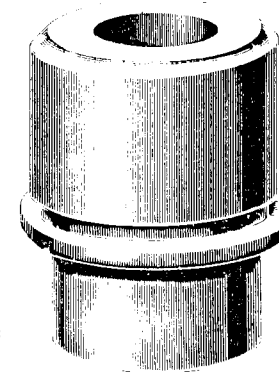
91744



91710



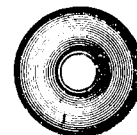
82549



2106



2455



10141



80106



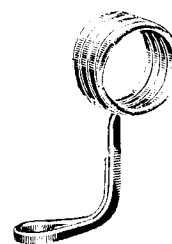
82462



82464



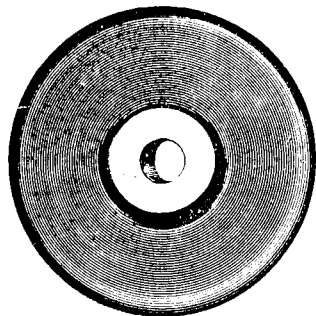
82551



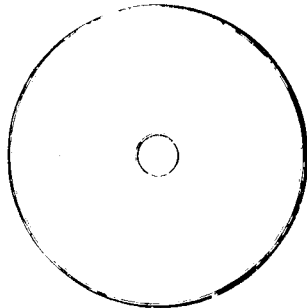
92814



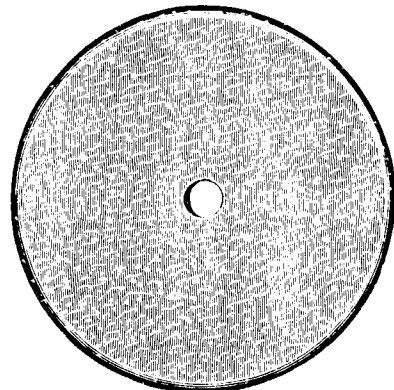
5963



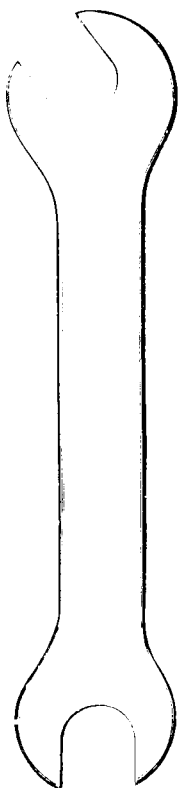
506L



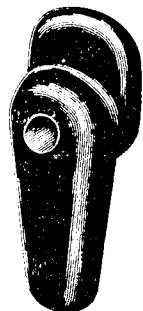
5960



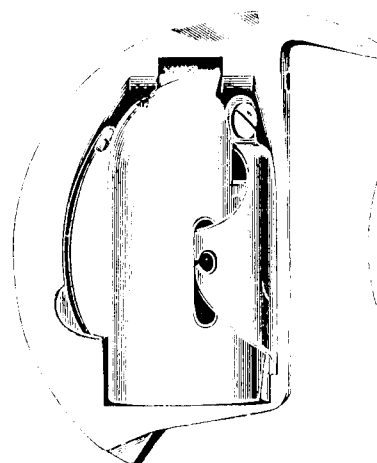
8908



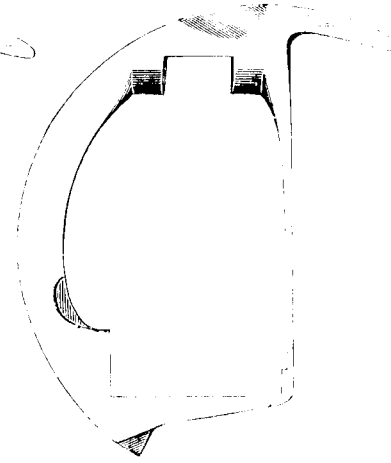
84118



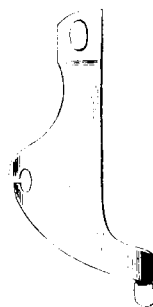
95084



95082



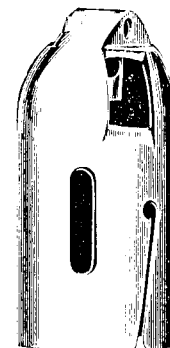
95083



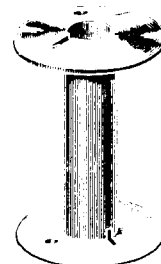
95081

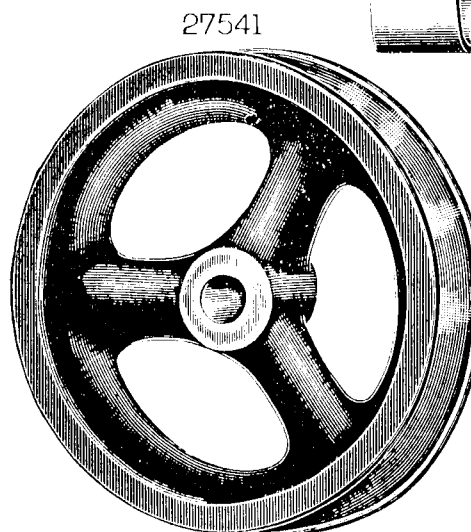
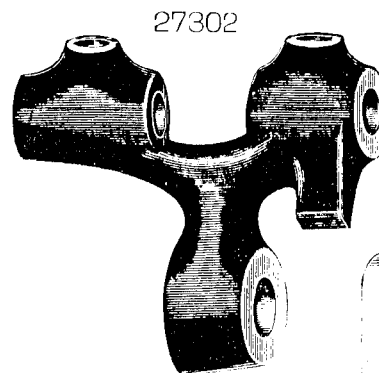
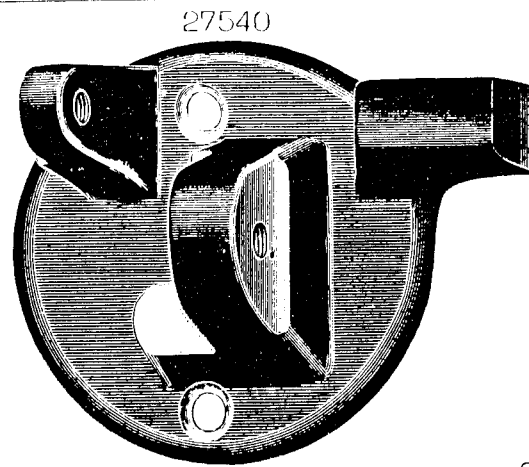
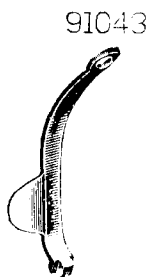
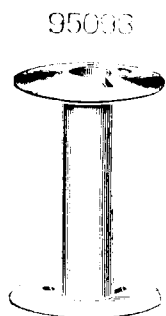
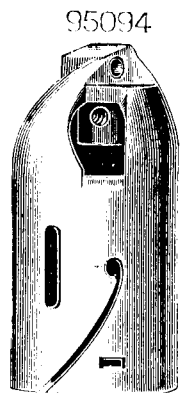
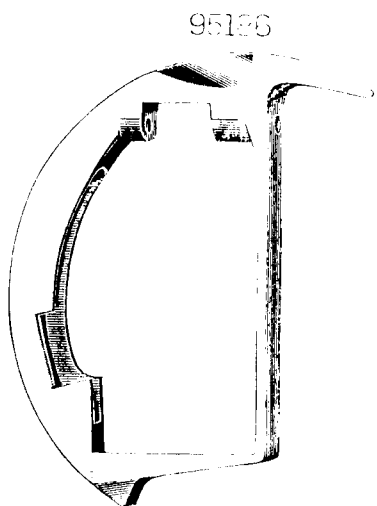
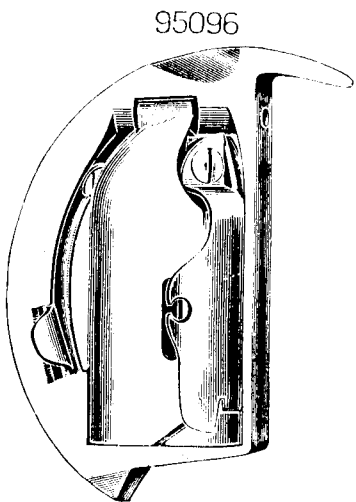


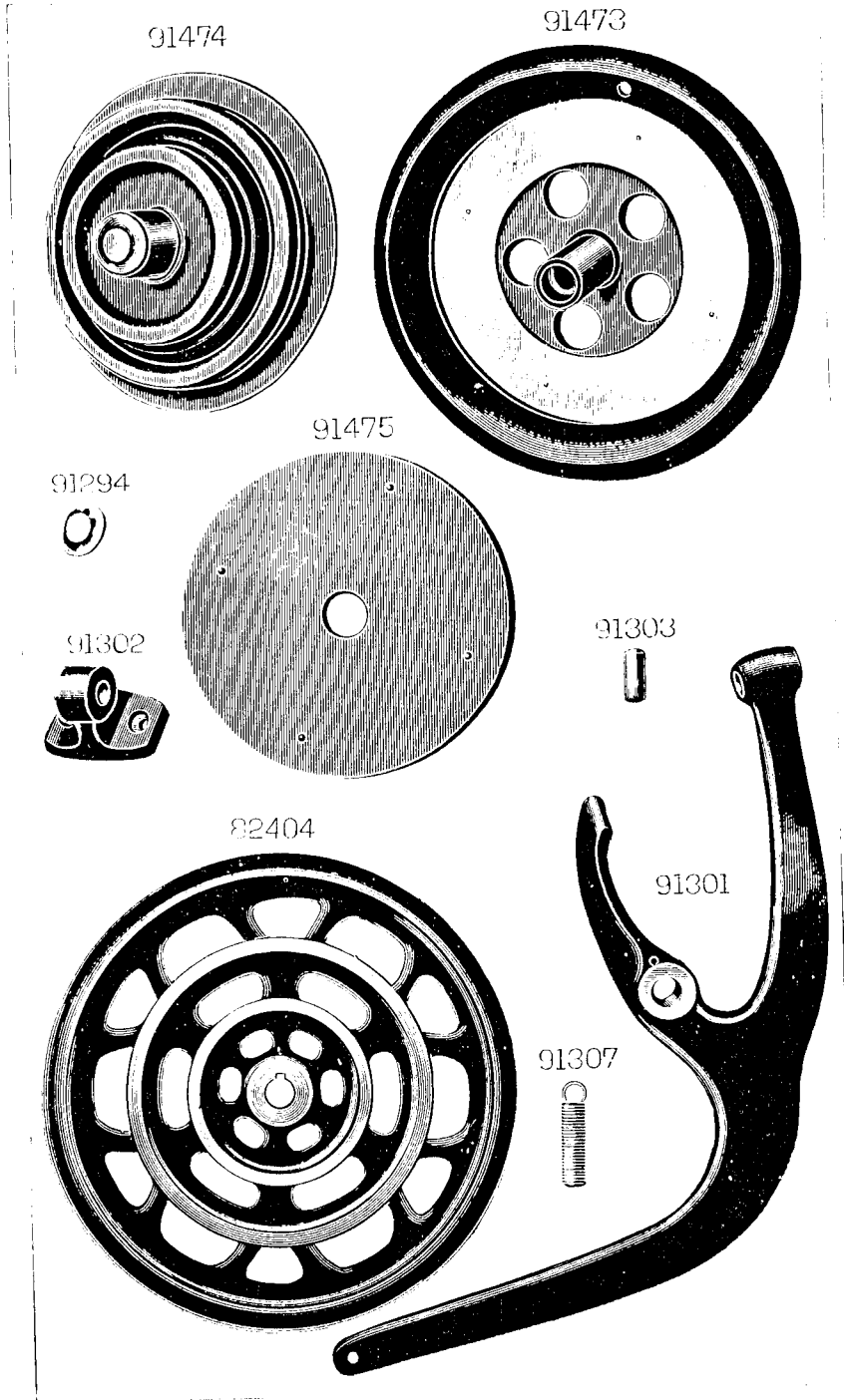
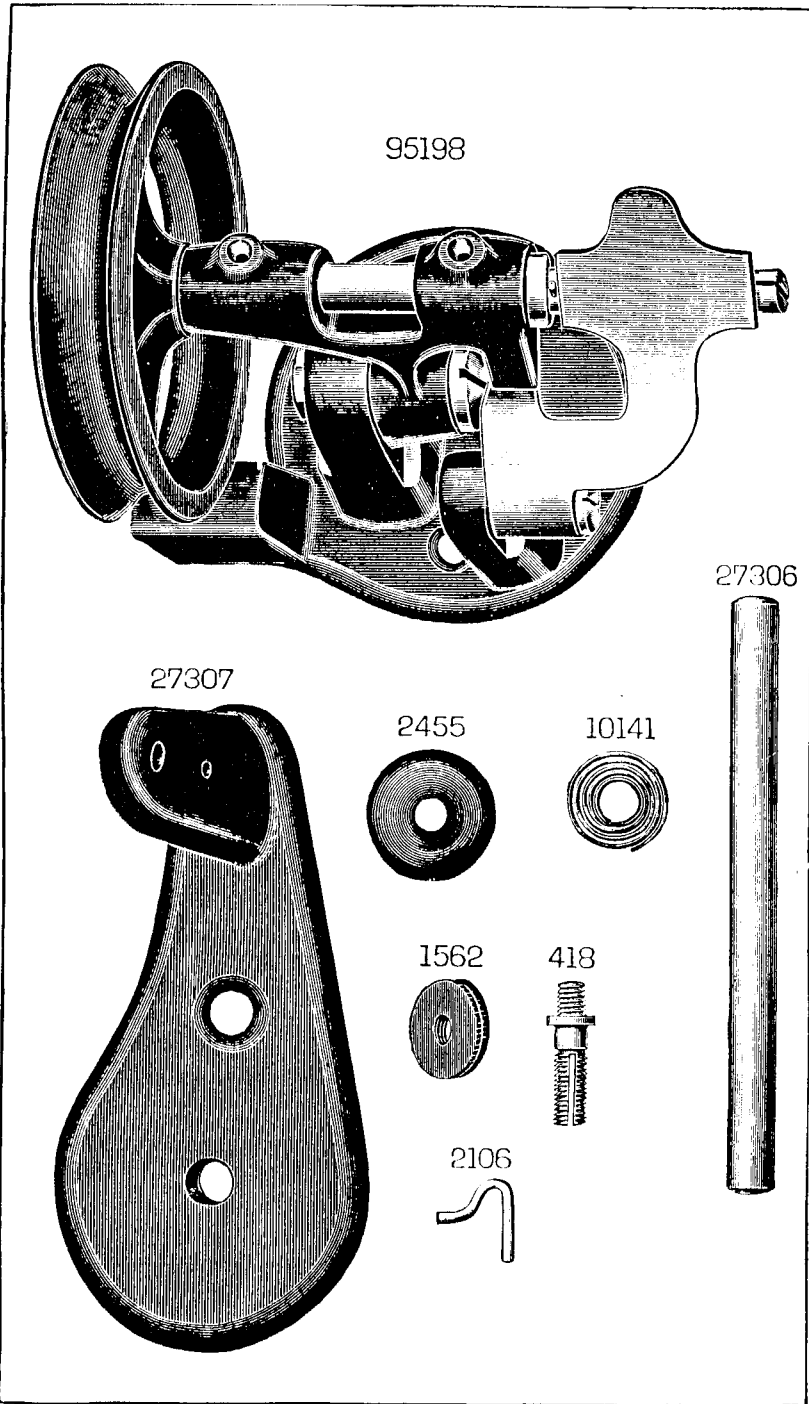
95080



95093



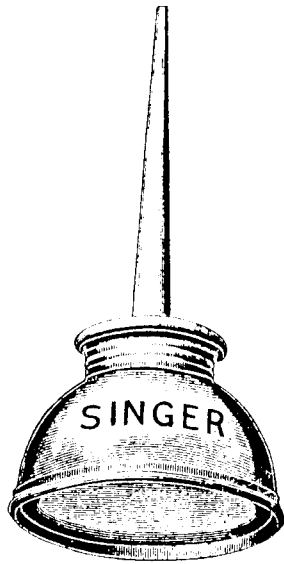




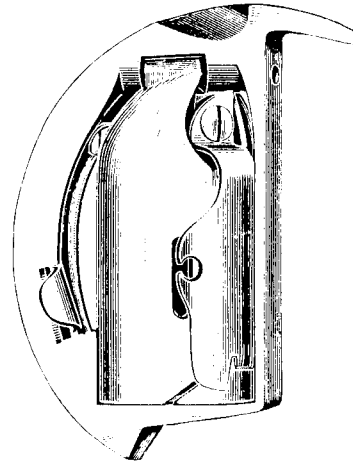
86611



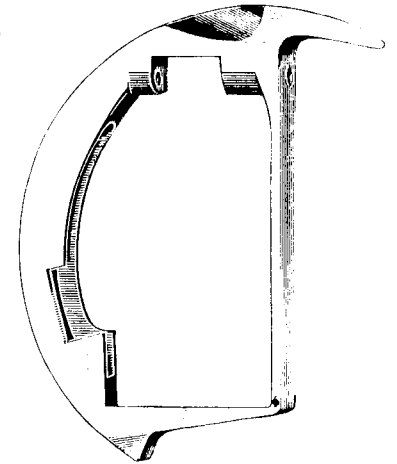
120342



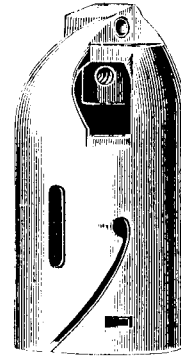
98622



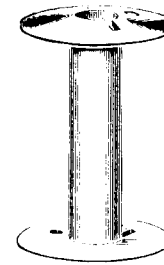
98619



95094



95093



95095



91042



91043

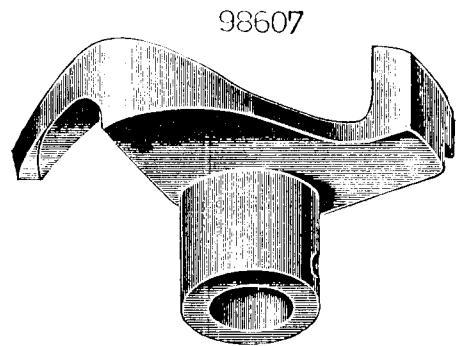


SS377

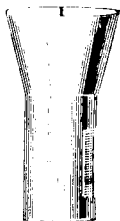


233





98613



94872



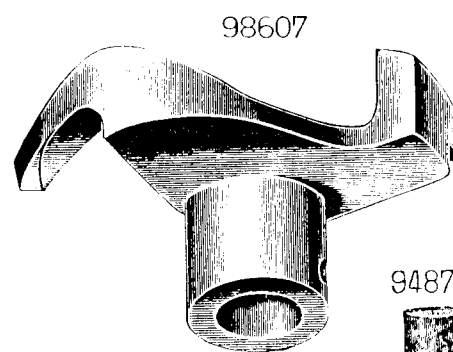
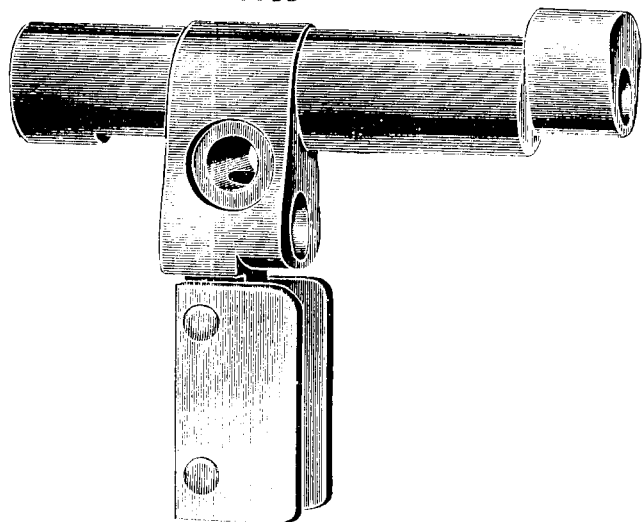
98614



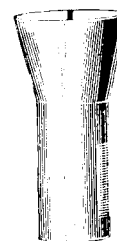
1668



98615



98627



94872



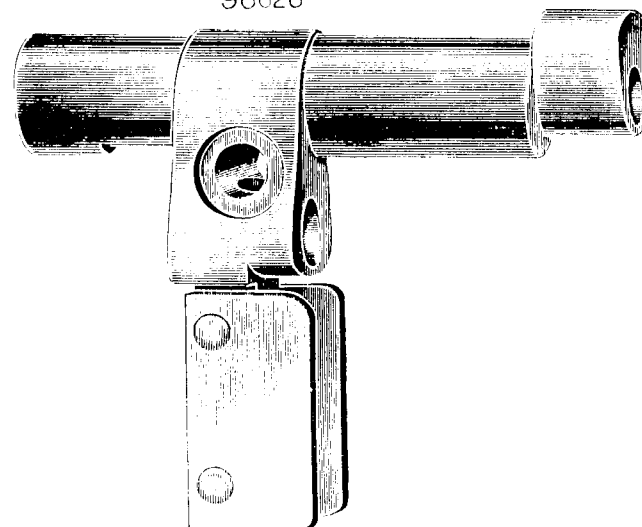
98614

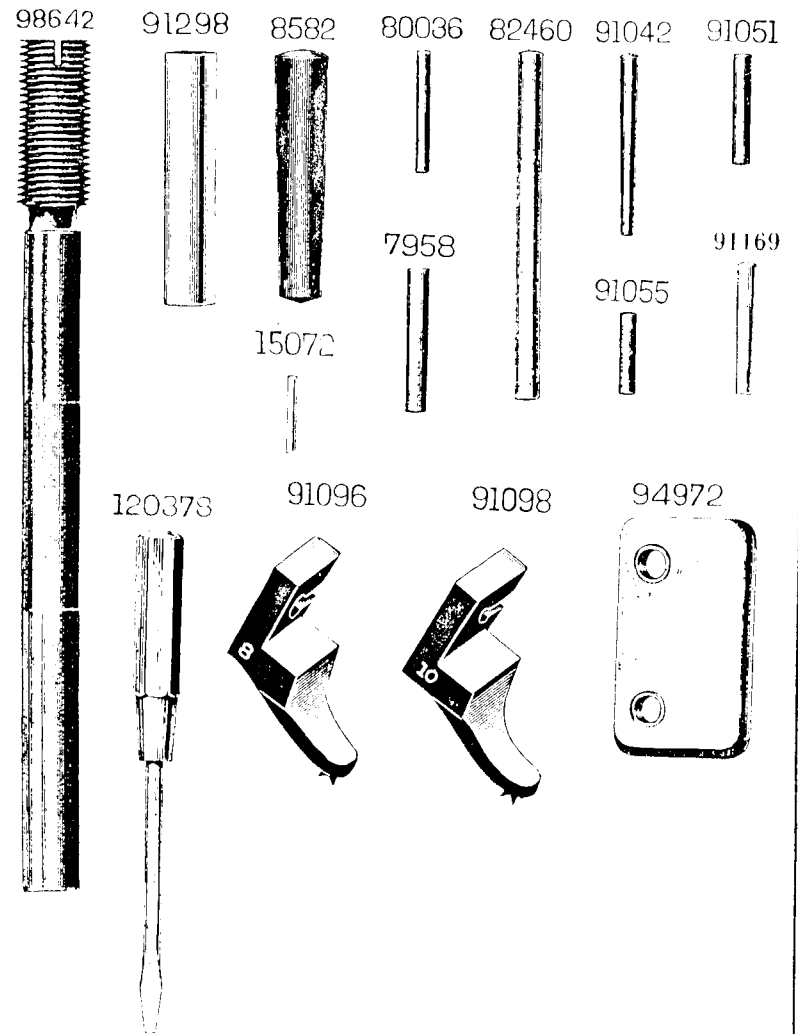
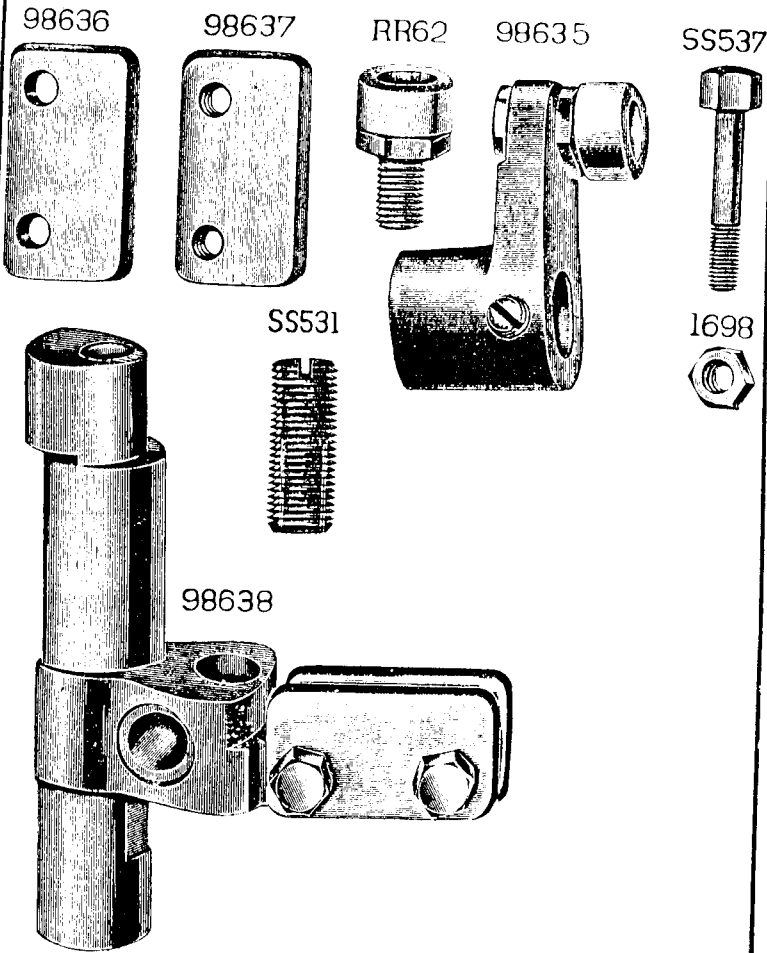


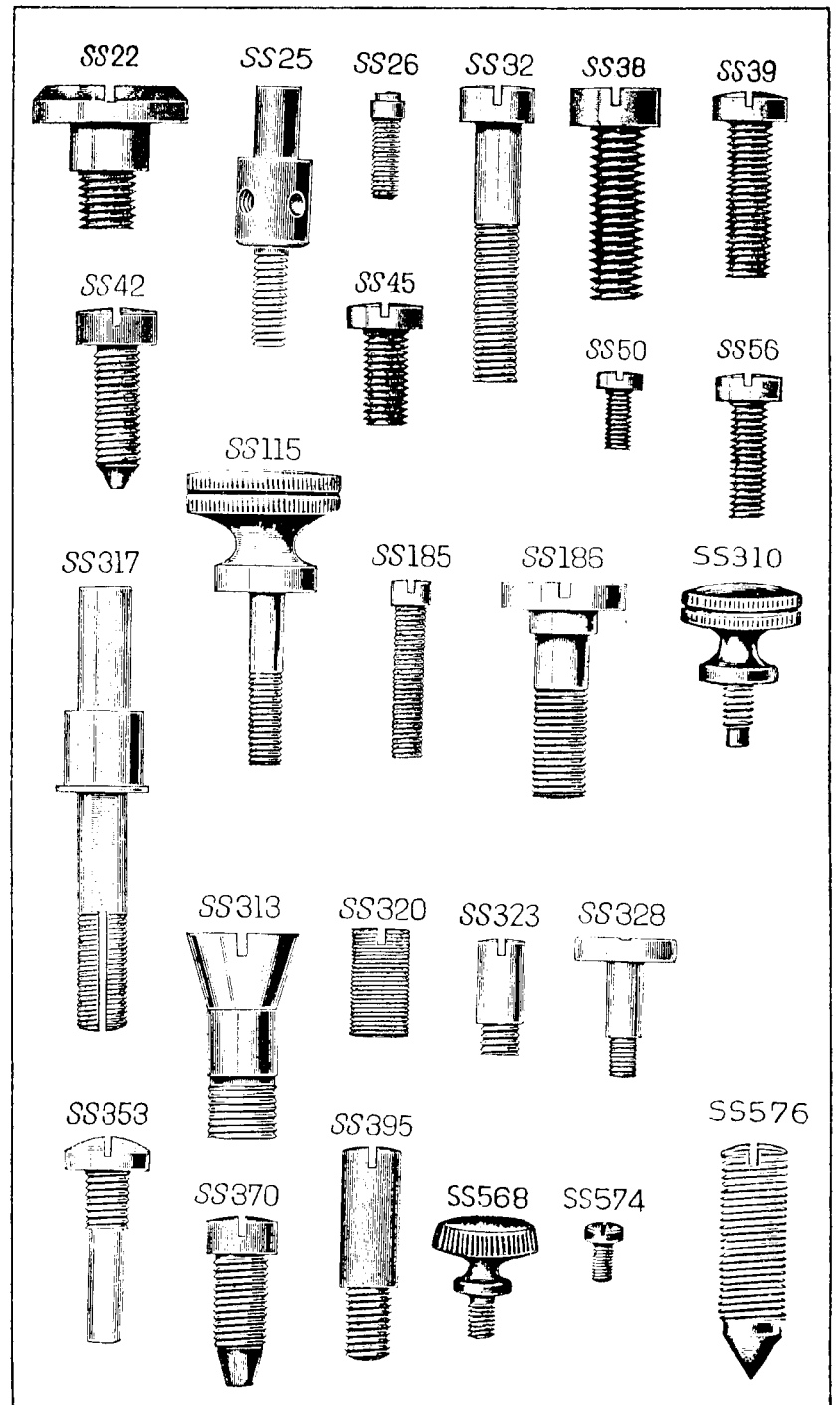
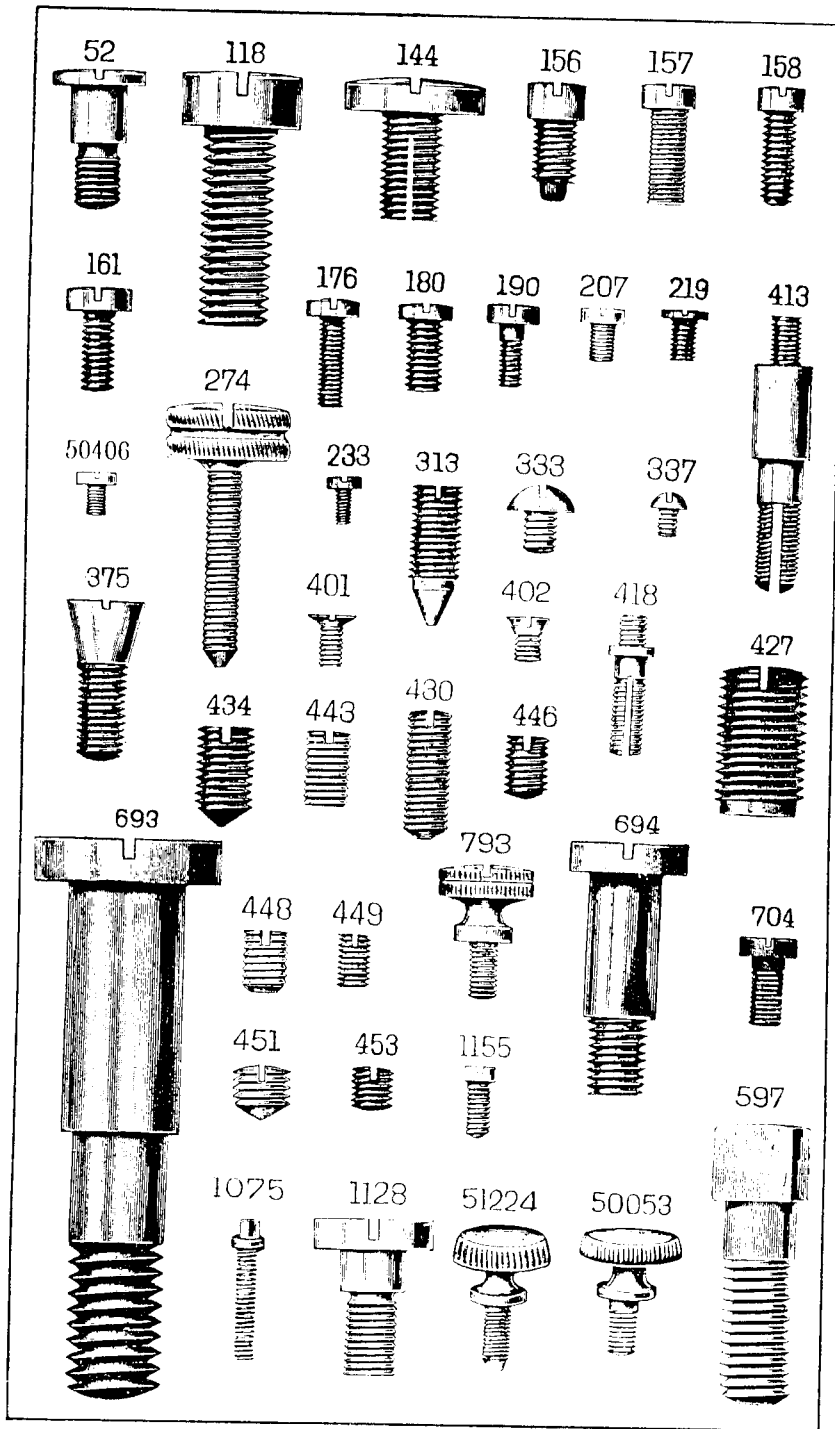
1668



98628



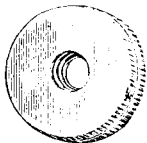




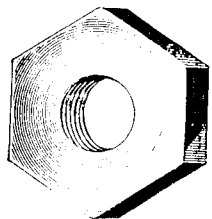
NW8



NW21



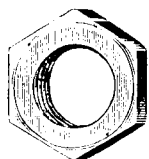
NW28



NW35



1508



1513



1518



1519



1520



1549



1560



1650



1536



1539



RR41



1809



1850



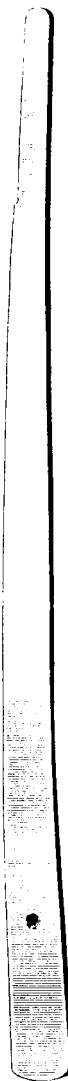
RR24



32



8627



91715



98664



94806



INSTRUCTIONS FOR ORDERING

In ordering from this List, the prefix and affix letters with the part number **MUST BE** quoted exactly as they are shown in the first column.

A number always indicates the same part in whatever List it may appear, or for whatever machine.

The affix letters (where shown) indicate the style of finish, as follows:

- A. Hardened, Polished, Nickel Plated and Buffed.
- A.A. Buffed and Chromium Plated.
- A.B. Hardened, Polished, Buffed and Chromium Plated.
- A.C. Brown Baking Enamel Finish.
- A.D. Grey Baking Enamel Finish.
- A.E. Hardened, Bright Rumbled and Nickel Plated.
- A.F. Hardened, Bright Rumbled and Nickel Plated, Bright Rumbled and Chromium Plated.
- A.J. Polished, Nickel Plated and Chromium Plated.
- A.K. Hardened, Polished, Nickel Plated and Chromium Plated.
- A.L. Heat Treated for Toughness.
 - B. Polished, Nickel Plated and Buffed.
 - C. Hardened only.
- C.R. Hardened and Merlized.
- D. Polished only.
- E. Soft, not Polished.
- F. Hardened and Polished.
- F.J. Hardened, Polished and Nickel Plated.
- G. Bright Rumbled and Nickel Plated.
- H. Blued.
- J. Nickel Plated only.
- K. Hardened and Nickel Plated.
- L. Brass Plated.
- M. Oxidized.
- N. Japanned, Dull.
- P. Japanned, Bright.
- P.P. Wrinkle Finish.
- R. Merlized.
- S. Cadmium Plated.
- T. Copper Plated.
- T.A. Hardened, Polished, Copper and Nickel Plated and Buffed.
- T.B. Copper and Nickel Plated and Polished.
- T.J. Copper and Nickel Plated only.
- T.K. Hardened, Copper and Nickel Plated.
- T.L. Copper and Brass Plated.
- T.M. Copper Plated and Oxidized.
- U. Zinc Plated.
- V. Silver Plated.
- W. Polished and Nickel Plated.
- X. Black Oxide for Iron and Steel.
- X.C. Hardened and Black Oxide for Iron and Steel.
- Y. Black Nickel Plated only.
- Z. Chromium Plated.
- Z.A. Hardened, Polished, Nickel Plated, Buffed and Chromium Plated.
- Z.B. Polished, Nickel Plated, Buffed and Chromium Plated.
- Z.C. Hardened and Chromium Plated.
- Z.D. Polished and Chromium Plated.
- Z.G. Bright Rumbled, Nickel Plated, Bright Rumbled and Chromium Plated.
- Z.J. Nickel and Chromium Plated.
- Z.T. Copper and Chromium Plated.

Parts marked with an asterisk () are furnished only when the repairs are made at Factory.*

PARTS COMPLETE

FOR

No. 45K58 MACHINE

Top Feed, Flat Bed, Vibrating and Climbing Presser, for General Saddlery, Bags, Portmanteaux, Cloth, Canvas Work, etc.

No.	Plate		
91702		Arm with 416c, 15404, 82499, 82549 and two 15405
8582	2123	" Dowel Pin (2)
118c	2124	" Screw (3)
91615	1063	Arm Shaft
82499	850	" " Bushing (back)
82549	1071	" " " (front)
416c	2124	" " " Set Screw for 82499
82100	851	" " Oil Tube
144c	2124	" " Screw
82402	847	Arm Side Cover
51224d	2124	" " " Thumb Screw
82403	851	" Spool Pin
82404	1599	Balance Wheel (two speeds) with two 434c
91002		" " " " (heavy) with two 434c
434c	2124	" " " Set Screw
		<i>NOTE: No. 82404 is sent with this Machine unless heavy Balance Wheel is specified on order.</i>	
91003		Bed
98664	2127	Crank Connecting Rod with 94802, 94872 and two 158c
94802		" " " Cap
94872	1698	" " " " Oil Pad
158c	2124	" " " " Screw
98627	1740	" " " " Hinge Stud
98614	1698	" " " " " " " " Coffin Pin
1668c	1698	" " " " " " " " " " Nut

No.	Plate	
91574	847	Face Plate
SS45d	2125	" " Screw (to attach to machine)
91575	—	Face Plate , complete, Nos. SS50f, 233d, 446c, 82449, 82450, 82455, 82502, 82503, 82525, 82551 and 91574
91008	862	Feed Bar with 80036
94967	853	" " Retaining Spring
80036	2123	" " " " Pin
313c	2124	" " Screw Centre (2)
1519c	2126	" " " " Nut (2)
3032	850	Feed Cam with 446c
446c	2124	" " Set Screw
52165	851	Feed Connecting Link
375c	2124	" " " " Hinge Screw (2)
1518c	2126	" " " " " " Nut (2)
91607	863	Feed Dog
704c	2124	" " Screw
91013	862	Feed Forked Connection
375c	2124	" " " " Hinge Screw
1518c	2126	" " " " " " Nut
91014	862	Feed Lifting Rock Shaft
91334	—	" " " " 91014 with 91335
91335	863	" " " " Crank with 1809 and two 157c
157c	2124	" " " " Crank Clamping Screw
1809	2126	" " " " " " Roller and Stud
SS576c	2125	" " " " " " Screw Centre (2)
1513j	2126	" " " " " " Nut (2)
91017	863	Feed Regulator
1428c	2124	" " Hinge Screw
SS115d	2125	" " Thumb Screw
91018	862	Feed Rock Shaft with 91169
91336	—	" " " " 91018 with 91337
91337	863	" " " " Crank with two 157c
157c	2124	" " " " " " Clamping Screw
91169	2123	" " " " Retaining Spring Pin
SS576c	2125	" " " " Screw Centre (2)
1513j	2126	" " " " " " Nut (2)

No.	Plate	
85527	862	Guide
793d	2124	" Thumb Screw
91739	1070	Lifting Presser Plunger
8575	1070	" " " Position Pin
RR54	851	" " " Roller
SS323f	2125	" " " " Screw Stud
91740	—	Lifting Presser Plunger , complete, Nos. RR54, SS323f and 91739
91580	847	Needle Bar
91022	851	" " Connection with two 158c
158c	2124	" " " Clamping Screw
91240	850	" " " Link
375c	2124	" " " " Hinge Screw
1518c	2126	" " " " " " Nut
82520	853	Needle Glamp
156f	2124	" " Screw
82521	853	" " Thread Eyelet
50406d	2124	" " " " Screw
82522	—	" " 82520 with 156f, 50406d and 82521
98638	2000	Oscillating Rock Shaft with 98636, 98637, two each SS537c and 1698c
98642	2123	" " " Hinge Pin
1513j	2126	" " " " " " Nut
SS531c	2000	" " " " " " Screw Bearing
1513j	2126	" " " " " " " " Nut
98636	2000	" " " Steel Plate (bottom)
98637	2000	" " " " " (top)
SS537c	2000	" " " " " Binding Screw
1698c	2000	" " " " " Binding Screw Lock Nut
98640	—	Oscillating Rock Shaft , complete, Nos. 1668c, 98614, 98627 and 98638
91028	862	Oscillating Shuttle Shaft
91029	853	" " " Bushing
SS39c	2125	" " " " " Set Screw
91030	863	" " " Collar with 453c
453c	2124	" " " " " Set Screw
98635	2000	Oscillating Shuttle Shaft Crank with RR62, 453c and 1518c
1663	853	" " " " Pin
RR62	2000	" " " " Roller and Screw Stud
1518c	2126	" " " " " " " " Nut
453c	2124	" " " " " Set Screw

No.	Plate	
94806	2127	Presser Bar (round)
94582	847	" " (flat) with 91169
SS185f	2125	" " (") Adjusting Screw
NN35d	2126	" " (") " " Lock Nut
52f	2124	" " (") Hinge Screw
91583	850	" " (") Locking Plate
SS353d	2125	" " (") " " Screw
91595	850	" " (") Lower Guide Bracket with 1571 and 91169
157f	2124	" " (") " " Clamping Screw
91169	2123	" " (") " " Retaining Spring Pin
RK41	2126	" " (") " " Roller and Screw Stud
91113	851	" " (") Retaining Spring
91169	2123	" " (") " " Pin
91164	851	" " Automatic Thread Controller with 448c
448c	2124	" " " " Set Screw
91742	1070	" " Gripping Bracket
91743	1070	" " " " Block
91744	1070	" " " " Retaining Pin
91745	1070	" " " " Grip Lever
^{1/50} 430A	2124	" " " " " " Adjusting Screw
1520r	2126	" " " " " " " " Nut
91587	851	" " " " " " Hinge Pin
91746	1070	" " " " " " Retaining Spring
1650c	2126	" " " " " " " " Lock Nut
NN21d	2126	" " " " " " " " Thumb
^{1/50} 1747		Presser Bar Gripping Bracket , complete, Nos. 430A ^{1/2} 1520r
		91587 and 91742 to 91745
91590	850	Presser Bar Lifter
SS186d	2125	" " " " Hinge Screw
1518e	2126	" " " " " " Nut
91591	850	" " Lifting Bracket with 443c and 4455c
1155e	2124	" " " " " " Position Screw
443c	2124	" " " " " " Set Screw
91697	854	" " " " " " Tension Release
190f	2124	" " " " " " " " Binding Screw
91696	854	" " " " " " " " Bracket
190f	2124	" " " " " " " " " " Screw
91699		" " " " " " 91591 with 91696, 91697 and 190
91594	847	" " " " " " Cam
704c	2124	" " " " " " Screw
SS355e	850	" " Screw Bushing
91248	854	" " Spring (spiral)
8627	2127	" " " " (flat)

No.	Plate	
91745	2127	Presser Bar Spring (flat) (for use with machine when fitted with Foot Lifter)
1539d	2126	" " " " Thumb Lock Nut
274d	2124	" " " " " " Screw
91550	854	Presser Foot (plain) with single toe serrated
91596	854	" " (") " " two toes serrated
91548	854	" " " " with single point and serrated toe to left of needle
50190d		" " " " Thumb Screw
<i>NOTE: No. 91550 is sent with this Machine unless otherwise specified on order.</i>		
91092		Presser Foot Feed Point , 1/8" Square Stitch
91093		" " " " " " 1/8" Twist "
91094		" " " " " " 1/8" Square "
91095		" " " " " " 1/8" Twist "
91096	2123	" " " " " " 1/8" Square "
91097		" " " " " " 1/8" Twist "
91098	2123	" " " " " " 1/10" Square "
91099		" " " " " " 1/10" Twist "
91100		" " " " " " 1/12" Square "
91101		" " " " " " 1/12" Twist "
91102		" " " " " " 1/4" Square Stitch
91103		" " " " " " 1/4" Twist "
<i>NOTE: Presser Foot Feed Points may be used with this machine, but are only supplied when specified on order and are charged extra.</i>		
95093	1467	Shuttle Bobbin
95094	1467	" " Cylinder
91042	1694	" " " " Hinge Pin
91043	1694	" " " " Latch Spring
SS574d	2125	" " " " " " Screw
98619	1694	" " Frame
95095	1467	" " Tension Spring
SS377f	1467	" " " " Adjusting Screw
98622	1694	Shuttle (Cylinder) 2 1/2" diam., complete, Nos. SS377f, SS574d, 91042, 91043, 95093 to 95095 and 98619
<i>No. 98622 can only be used with No. 98607 and not with old style Shuttle Drivers.</i>		
98607	1698	Shuttle Driver
11663	853	" " " " Pin
<i>No. 98607 can only be used with No. 98622 and not with old style Shuttles.</i>		

No.	Plate	
91048	303	Shuttle Guard
SS568d	2125	" " Thumb Screw
1549e	2126	" " " " Lock Nut
91049	---	Shuttle Race with 91051, 91052 and 91055
94973	---	" " 91049 with 91054 and two 40H
SS32f	2125	" " Bearing Clamping Screw
NA8e	2126	" " " " " Nut
91050	853	" " Cap
91051	2123	" " " Pin (short)
91052	303	" " " " (long)
91053	853	" " " Spring
41f	303	" " " " Screw
91054	303	" " Loop Spreader
401f	2124	" " " " Screw
91055	2123	" " Position Pin
91056	303	Shuttle Race (adjustable), complete, Nos. 41f, SS568d, 1549e, 91048, 91050, 91053 and 94973
91057	862	Shuttle Race Slide (back)
180d	2124	" " " (") Screw (2)
91058	862	" " " (front)
91059	862	" " " (") Spring
337d	2124	" " " (") " Screw
91060	---	" " " 91058 with 91059 and two 337d
SS317e	2125	Tension Screw Stud
1560d	2126	" " " Regulating Thumb Nut
446e	2124	" " " Set Screw
82445	854	" Spring
82446	854	" Washer (felt)
82447	854	" " (steel)
82448	854	" Wheel
82502	---	Tension , complete, Nos. SS317e, 1560d, 82445, 82448, two each, 82446 and 82447
82551	1071	Thread Controlling Lever
82525	851	" " " Spring
82455	851	" " " Stop Pin
82450	851	Thread Eyelet
SS50f	2125	" " Screw
82449	851	Thread Guard
233d	2124	" " Screw

No.	Plate	
2102	851	Thread Retainer Disc
*413e	2124	" " Screw Stud
33892	---	" " " " 413e with 1560d
1560d	2126	" " " " Regulating Thumb Nut
2103	850	" " Spring
82503	---	Thread Retainer , complete, Nos. 2103, 33892 and two 2102
91709	---	Thread Take-up Cam with SS320c and SS370e
SS320c	2125	" " " Set Screw
SS370e	2125	" " " Timing Screw
91710	1071	" " " 91709 with 91594 and two 704
91505	---	Thread Take-up Lever
SS22f	2125	" " " Hinge Screw
92814	1071	" " " Roller
SS328e	2125	" " " " Screw
RR24	2126	" " " " and Screw Stud
1519e	2126	" " " " " Nut
91507	850	Thread Take-up Lever , complete, Nos. RR24, SS328e, 1519e, 91505 and 92814
91609	863	Throat Plate (fine needle hole) for 91607
91610	863	" " (coarse needle hole) for 91607
180f	2124	" " Screw (2)
<i>NOTE. 91610 is sent with this Machine unless otherwise specified on order.</i>		
91796	1063	Oil Box
82459	1063	" " Cover
82460	2123	" " " Hinge Pin
80106	1071	" " " Latch Spring
219f	2124	" " " " Screw
82462	1071	" " " " Washer
82463	---	" " Oil Pad (cloth)
SS50f	2125	" " " " Screw
82462	1071	" " " " Washer
SS395f	2125	" " Stud Screw
SS42f	2125	" " " Set Screw
91797	1063	Oil Box , complete, Nos. SS42f, SS50f, 219f, 80106, 82459, 82460, 82463, 91796 and two 82462
82550	---	Drip Pan
15404	---	Trade Mark
15405	---	" " Rivet

Accessories

No.	Plate								
35093	1467	Bobbin 1712							
		Instruction Book							
84118	1072	Machine Button with 84151 and wood screw 1 1/2" No. 9 R.H.B.							
		Needles (6)							
120312	1600	Oiler							
86611	1600	Screw Driver (large)							
120378	2123	" " (small)							
8908	1072	Wrench							

9/24/51

Attachments

Attachment for Saddlery Work.

No.	Plate								
85749	176	Base							
85750	176	" Spring							
85751	176	" " Regulator with SS310d							
SS310d	2125	" " " Thumb Screw							
207d	2124	" " " Screw							
85325		" " " Washer							
85752	176	Binder only, complete, Nos. 207d, 85325 and 85749 to 85751							
85822	176	Combination Guide							
85823	176	" " Base							
161d	2124	" " " Screw							
85514		" " " Washer							
85824	176	Combination Guide, complete, Nos. 161d, 85514, 85822 and 85823							
85535	176	Presser Foot							
85829	176	Saddlery Attachment, complete, Nos. 85535, 85752 and 85824							

Binder (adjustable) for Horse Rugs.

No.	Plate								
86209	864	Base and Folder with SS25d							
86210	864	" Guide Wire							
50053d	2124	" " " Thumb Screw							
SS25d	2125	" Screw Stud							
86211	864	Guide (top)							
AX19d	864	" Thumb Nut							

No.	Plate	
85514	---	Guide Thumb Nut Washer
86212	864	Binder only, complete, Nos. NN19d, 50053d, 85514 and 86209 to 86211
86279	864	Presser Foot
86290	864	Binder, complete, Nos. 86212 and 86279

Binder (adjustable) for Leather and Motor Car Hood Binding.

No.	Plate	
86202	860	Base
86203	860	Guide (top)
86204	---	" (bottom) with 1075e
1075e	2124	" (") Screw Stud
1536d	2126	" Regulating Thumb Nut
86205	860	Binder only, complete, Nos. 1536d and 86202 to 86204
91552	860	Presser Foot
86284	860	Binder, complete, Nos. 86205 and 91552

Welting Attachment (adjustable) for Carriage Cushions.

No.	Plate	
86214	859	Welter Base Guide
86215	859	" Braid Guide with SS26e
207d	2124	" " " Screw
85325	---	" " " Washer
SS26e	2125	" " " Stud
NN44d	859	" " " Thumb Nut
86216	859	" Cord Guide
449c	2124	" " " Set Screw
86217	859	Welter only, complete, Nos. NN44d, 207d, 449c, 85325 and 86214 to 86216
86144	859	Presser Foot (Grooved for Cord)
86285	859	Welting Attachment, complete, Nos. 86144 and 86217

Welting Attachment for Leather Bags, Portmanteaux, etc.

No.	Plate	
86286	859	Welt Guide
86287	859	" " Base
703d	859	" " Thumb Screw
91547	859	Presser Foot
86288	859	Welting Attachment, complete, Nos. 86286, 86287, 91547 and two 703d

Welting Attachment for Heavy Boots.

No.	Plate	
91552	860	Presser Foot
86135	860	Guide (plain)
86127	860	Welt Guide
86289	860	Welting Attachment, complete, Nos. 86127, 86135 and 91552

Bobbin Winders

Bobbin Winder (friction) for Fast Wheel Machine.

No.	Plate	
82527	838	Bracket
SS56d	2125	" Screw
82528	838	Frame
32d	2126	" Hinge Screw
5960	1072	Friction Wheel (leather)
5961	1072	" " Washer
333r	2124	" " " Screw
91446	838	Spindle with 15072
15072	2123	" Bobbin Position Pin
5963	1072	" Flange
91447	838	Frame, complete, Nos. 333r, 5960, 5961, 5963, 82528 and 91446
82537	838	Spring
161d	2124	" Screw
82538	838	" " Washer
91448	---	Bobbin Winder, complete, Nos. 32d, 161d, 82527, 82537, 82538 and 91447

NOTE: No. 91448 is supplied with machine unless otherwise specified on order.

Bobbin Winder (friction) for Machine with Driving Attachment.

This Bobbin Winder is the same as No. 91448 with the following exceptions:

No.	Plate	
91476	838	Bracket
91477	---	Bobbin Winder, complete, Nos. 32d, 161d, 82537, 82538, 91447 and 91476

Bobbin Winder (Swinging Automatic, Right Hand) for 95093.

No.	Plate		
27540	1487	Base	
		" Screw (wood) 1" No. 7 R.H.	
27302	1487	Frame	
50356b	1487	" Hinge Screw	
1620j	1487	" " " Nut	
27303	1487	" Spring	
27541	1487	Pulley	
98673	1487	Spindle with 15072	
15072	2123	" Bobbin Position Pin	
27306	1488	Spool Pin	
27307	1488	" Stand	
27308		" " 27307 with 418d, 1562j, 2106, 10141, 27306, two each 2455 and wood screws 1" No. 10	
<i>As No. 27308 can be supplied either Plated or Japanned, it is necessary, when ordering, to state which is required.</i>			
95197	1487	Stop Latch	
35d	1487	" " Hinge Screw	
2455	1071	Tension Disc	
1562j	1488	" Regulating Thumb Nut	
418d	1488	" Screw Stud	
10141	1071	" Spring	
2106	1071	Thread Guide	
95198	1488	Bobbin Winder, Nos. 35d, 1620j, 27302, 27303, 27540, 27541, 50356b, 95197, 98673 and two wood screws 1" No. 7 R.H.	
95199		Bobbin Winder, complete, Nos. 27308 and 95198	

Foot Lifter

No.	Plate		
91716	1063	Arm Lever	
694d	2124	" " Hinge Screw	
91457	755	Foot Lever with 176c	
91459	755	" " Bracket	
17881	755	" " " Hinge Pin	
		" " " Screw (wood) 1" No. 12	
91458	755	" " Extension	
176c	2124	" " " Set Screw	
98626	755	" " Spring	
91451		Foot Lever only, complete, Nos. 17881, 91457 to 91459, 98626 and two wood screws 1" No. 12	
17877	755	Foot Lever Pitman Rod (lower)	
17878	755	" " " " (upper)	
17879	755	" " " " Clamp with two 161d	
161d	2124	" " " " Screw	
17880	755	Foot Lever Pitman Rod, complete, Nos. 17877 to 17879	
91453	755	Foot Lever Pitman Connecting Hook (7" long)	
91455		" " complete, Nos. 17880 and 91451	
91456		" Lifter, complete, Nos. 694d, 91453, 91455 and 91716	

Driving Attachment

No.	Plate	Description	No.	Plate
91473	1599	Balance Wheel with 434c, 454c, 91475 and four 402c		
91474	1599	" " Friction Pulley (two speeds) with 448c and	91294	
91294	1599	" " " " Centre Bearing		
91475	1599	" " " " Ring (cardboard)		
402c	2124	" " " " " Screw		
448c	2124	" " " " " Set Screw		
434c	2124	" " " " " Set Screw (long)		
454c	2124	" " " " " (short)		
91296	755	Starting Lever		
91297	755	" " Bracket		
91298	2123	" " " " Hinge Pin		
		" " " " Screw (wood) 1 1/4" No. 14		
91299	755	" " Nos. 91296 to 91298 and three wood screws 1 1/4" No. 14		
17877	755	" " Pitman Rod (lower)		
17878	755	" " " " (upper)		
17879	755	" " " " Clamp with two 161d		
161d	2124	" " " " " Screw		
17880	755	Starting Lever Pitman Rod, complete, Nos. 17877 to 17879		
91460		Starting Lever and Pitman, complete, Nos. 17880 and 91299		
84275		Shaft Pulley (sectional, grooved), 10" diam., with two 597c		
597c	2124	" " " " Clamping Screw		
91301	1599	Lever with 7958 and 91306		
91302	1599	" Bracket		
SS38c	2125	" " " " Screw		
91303	1599	" Centre Plug (wood)		
427c	2121	" " " " Adjusting Screw		
4508c	2126	" " " " " Nut		
91306		" Friction Pad (leather)		
693d	2124	" Hinge Screw		
NN28c	2126	" " " " Nut		
91307	1599	" Spring		
161d	2124	" " " " Screw		
7958	2123	" " " " Pin		
91309		Lever, complete, Nos. NN28c, 161d, 427c, 693d, 4508c, 91301 to 91303, 91307 and two SS38c		
91478		Driving Attachment, complete, Nos. 84275, 91309, 91460, 91473 and 91474		

Obsolete Parts

No.	Plate	Description	No.	Plate
91408	847	Arm Shaft		
82399	847	" " " " Bushing (front)		
91317	847	Crank Connecting Rod with 91005, 91872 and two 158c (for use with Hinge Screw SS313c)		
*91005		" " " " Cap		
SS313c	2125	" " " " " Hinge Screw		
SS45d	2125	" " " " " Set Screw		
98613	1698	" " " " " Stud		
91577	854	Lifting Presser Plunger		
91579		" " " " complete, Nos. R654, SS323d and 91577		
91439	853	Oscillating Rock Shaft with 91025, 91972 and two 91026		
98615	1698	" " " " " " 91025, 91972 and two 91026		
98628	1740	" " " " " " 91025, 91972 and two 91026		
91025	1070	" " " " " " Steel Plate (bottom)		
91972	2123	" " " " " " " (top)		
91026	1070	" " " " " " " Rivet		
91031	863	" Shuttle Shaft Crank with 453c and 4850		
4850	2126	" " " " " " Roller and Stud		
91584	854	Presser Bar Gripping Bracket		
91585	854	" " " " " " Grip Collar		
91586	854	" " " " " " " Lever		
91692		" " " " " " 91584 with 575c, 4520c, 91586 and 91587		
91588	854	" " " " " " " Grip Retaining Spring		
91592	850	" " " " " " Lifting Bracket Tension Release		
91593		" " " " " " " 91592 with 91592 and two 490f		
82430	854	" " " " " " Spring		
95089	1260	Shuttle Cylinder		
95081	1260	" " " " " " Latch Spring		
233d	2124	" " " " " " " Screw		
95082	1260	" " " " " " Frame		
95083	1260	" " " " " " Tension Spring		
95186	1467	Shuttle Frame		
95096	1467	Shuttle (Cylinder) 2 1/4" diam., complete, Nos. 233d, SS377d, 91042, 91043, 95093 to 95095 and 95186		
91047		Shuttle Driver		
91597	853	" " " " " " " "		

NOTE: The above Shuttle, Shuttle parts and Shuttle Drivers are not interchangeable with the new style parts, and No. 95096 must be used in conjunction with No. 91597.

OBSOLETE PARTS

No.	Plate				
82543	851	Thread Controlling Lever
91599		Thread Take-up Cam with SS320c and 1063c
91600	847	" " " 91599 with 91594 and two 704c